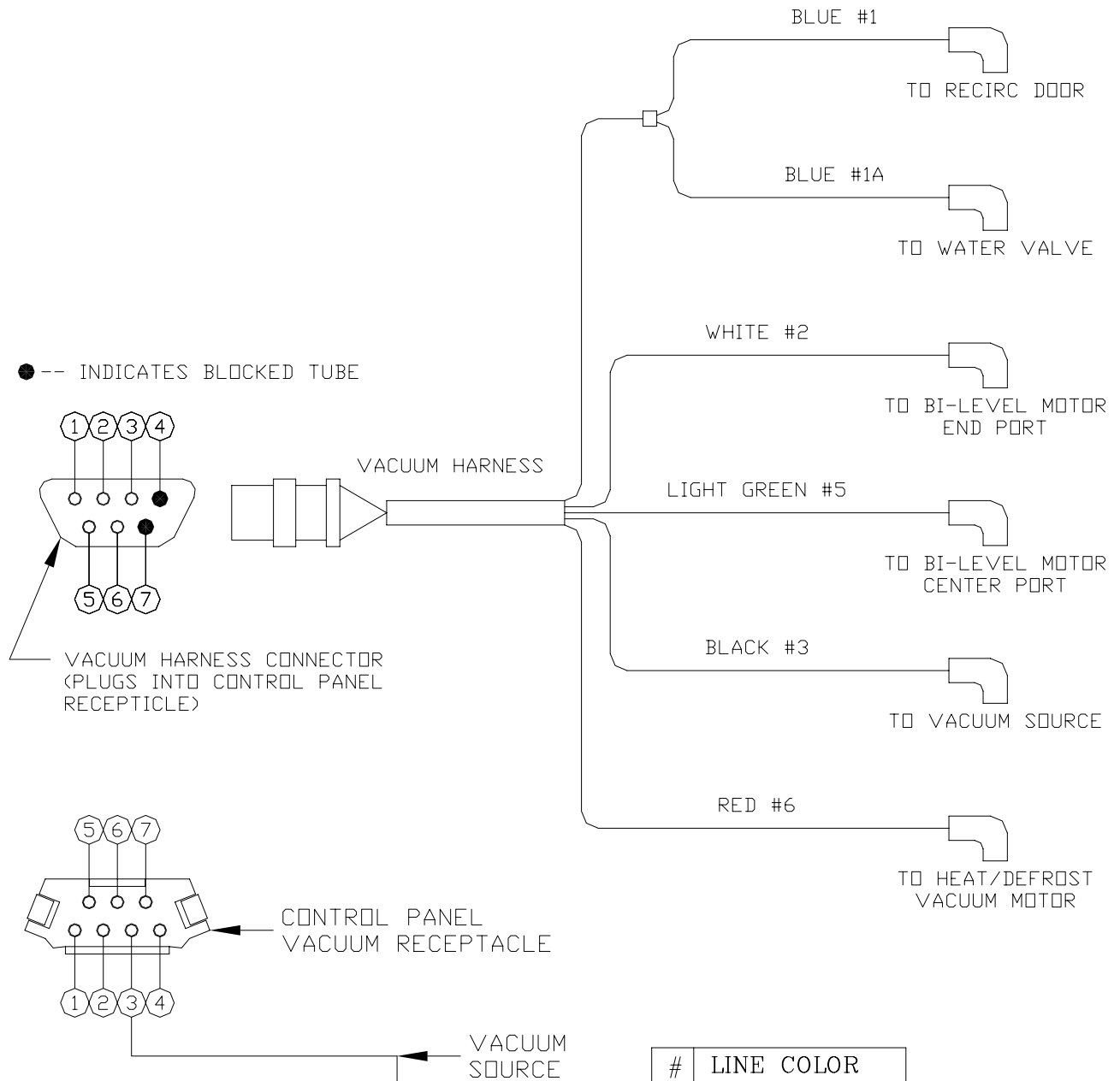


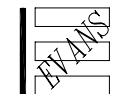
TYPICAL BLEND AIR VACUUM DIAGRAM



FUNCTION	#	1	2	3	4	5	6	7
PANEL-MAX A/C		○	○	◆	EMPTY	○	○	
PANEL-NORMAL			○	◆		○	○	○
BI-LEVEL			○	◆			○	○
FLOOR				◆			○	○
DEFROST				◆				○

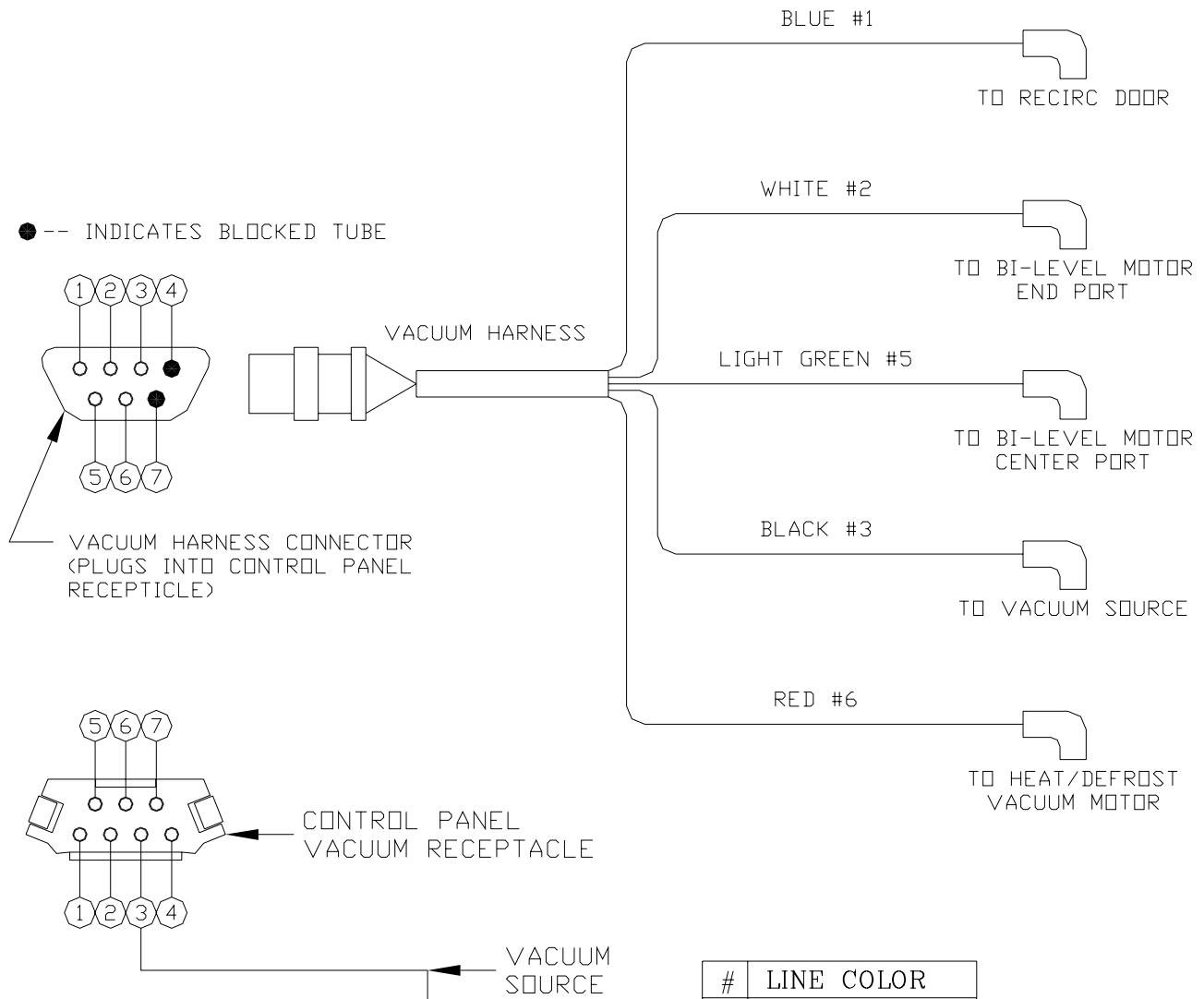
#	LINE COLOR
1	DARK GREEN
2	RED
3	BLACK
4	EMPTY
5	BROWN
6	YELLOW
7	LIGHT GREEN

CONTROL PANEL VACUUM LOGIC



TEMPCON
701 ANN ST., N.W.
GRAND RAPIDS, MI 49504

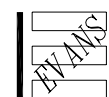
TYPICAL MIDWAY AND HIGH PERFORMANCE STACKED COIL VACUUM DIAGRAM



FUNCTION	#	1	2	3	4	5	6	7
PANEL-MAX A/C		○	○	◆	EMPTY	○	○	
PANEL-NORMAL			○	◆		○	○	○
BI-LEVEL			○	◆			○	○
FLOOR				◆			○	○
DEFROST				◆				○

#	LINE COLOR
1	DARK GREEN
2	RED
3	BLACK
4	EMPTY
5	BROWN
6	YELLOW
7	LIGHT GREEN

CONTROL PANEL VACUUM LOGIC



TEMPCON
701 ANN ST., N.W.
GRAND RAPIDS, MI 49504