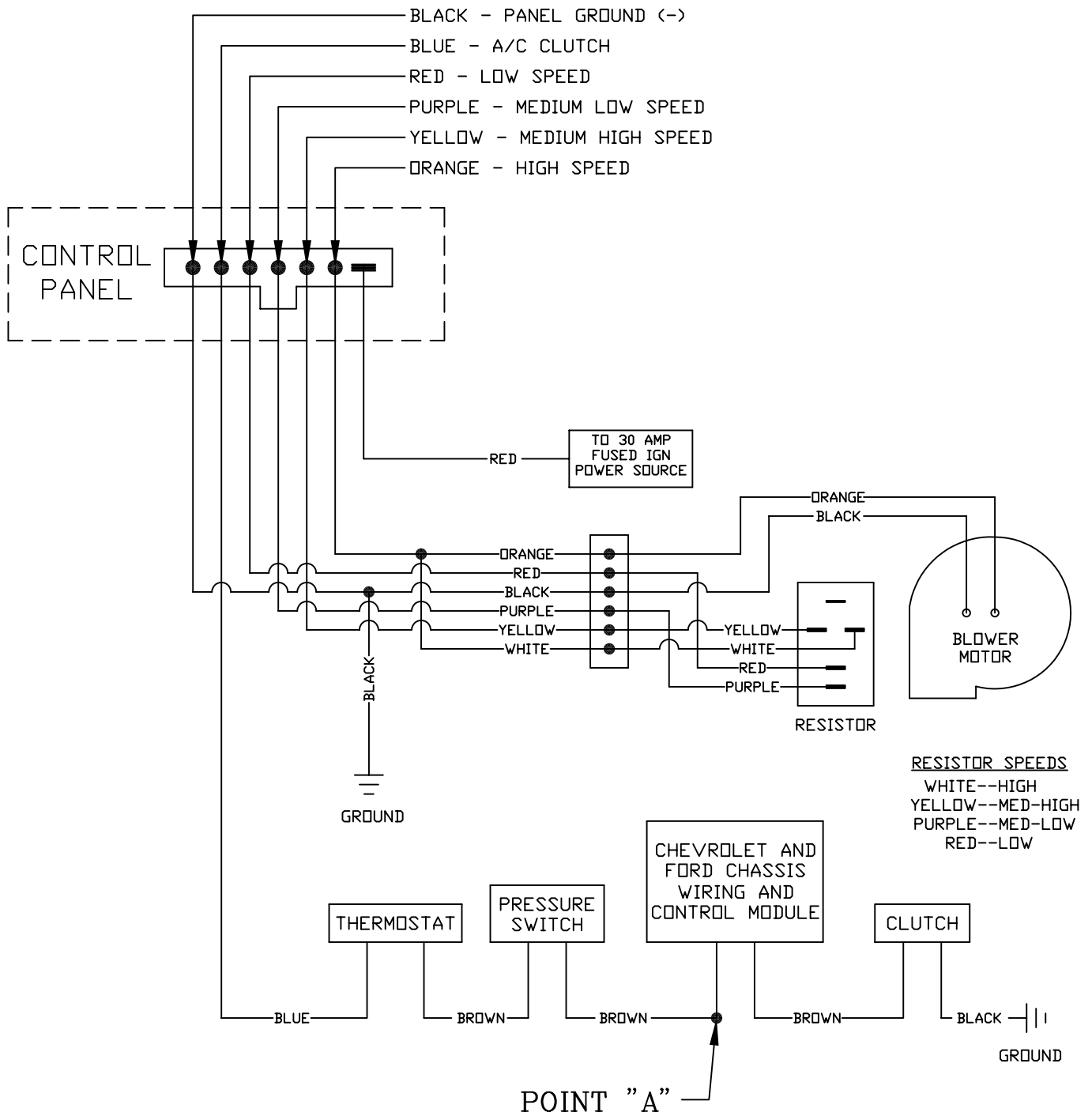
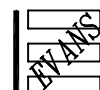


TYPICAL BLEND AIR WIRING DIAGRAM

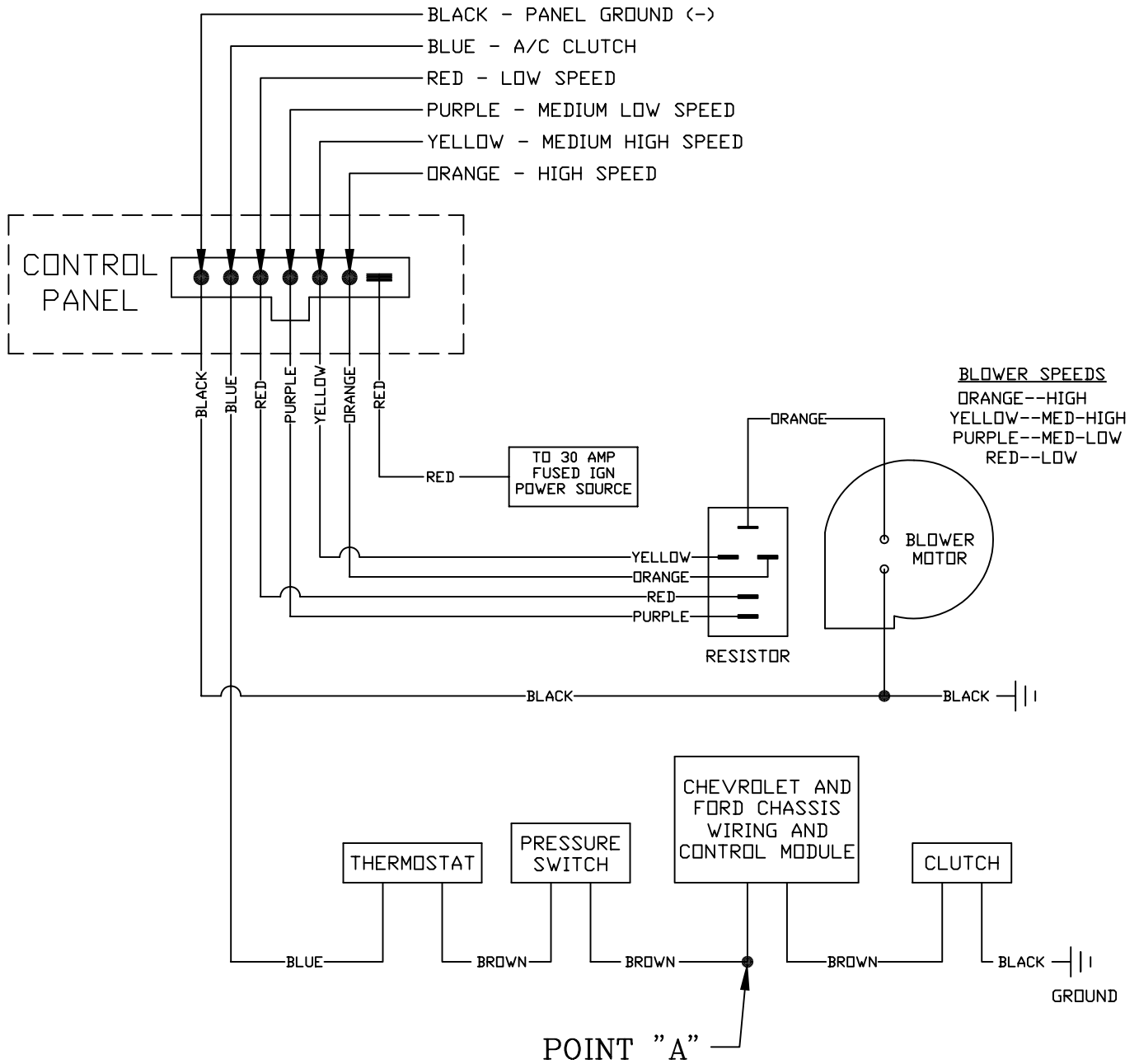


- POINT "A"
1. LOCATION WHERE EVANS A/C WIRING CONNECTS TO CHASSIS MANUFACTURER'S WIRING (CHEVROLET/FORD).
 2. LOCATION ON PUSHER CHASSIS WHERE A/C CONTROL PANEL WIRING CONNECTS TO CONDENSER FAN AND COMPRESSOR CLUTCH WIRING (SEE PUSHER CHASSIS WIRING DIAGRAM).



TEMPCON
 701 ANN ST., N.W.
 GRAND RAPIDS, MI 49504

TYPICAL MIDWAY AND HIGH PERFORMANCE STACKED COIL WIRING DIAGRAM

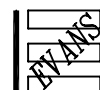
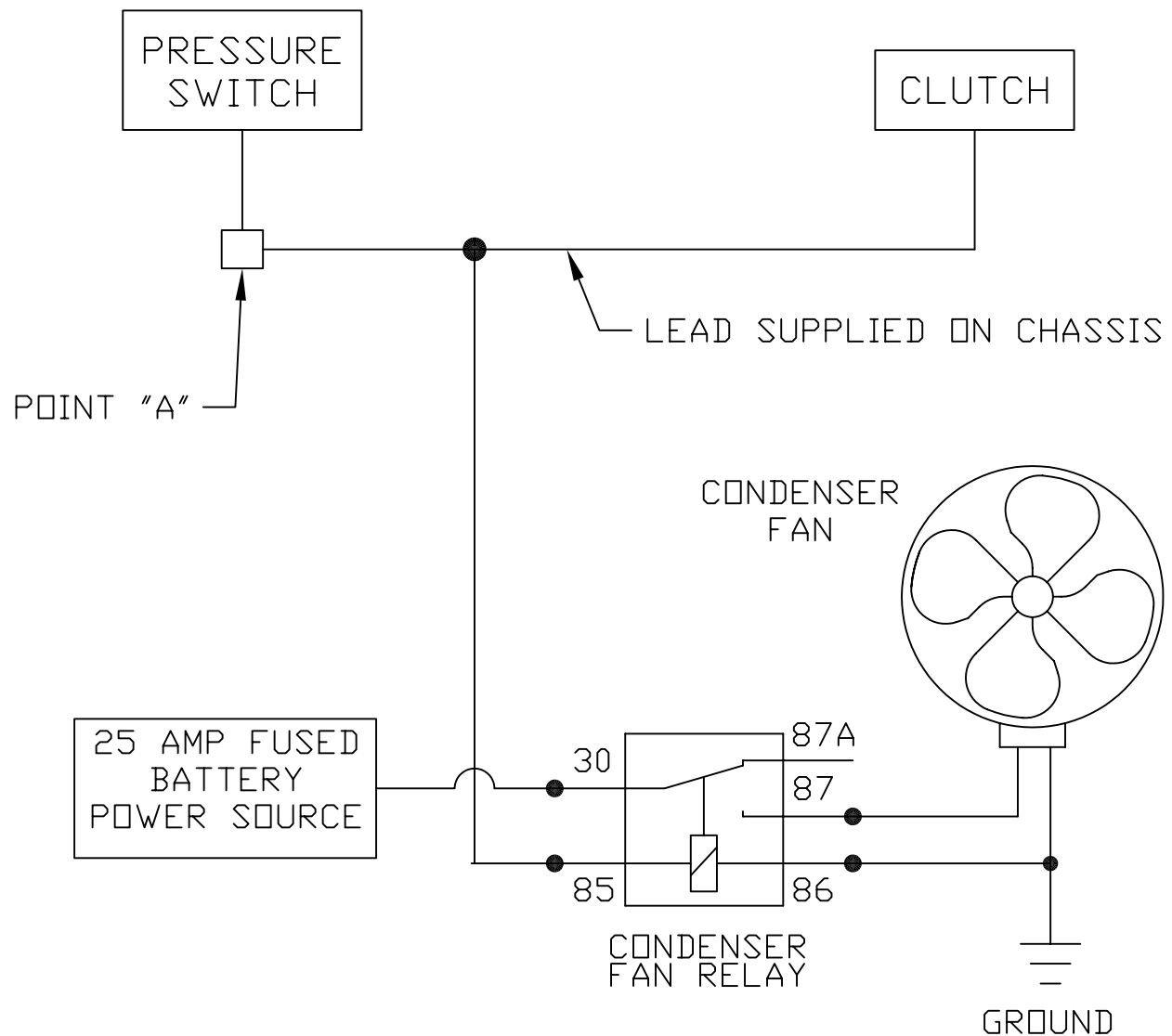


- POINT "A"
1. LOCATION WHERE EVANS A/C WIRING CONNECTS TO CHASSIS MANUFACTURER'S WIRING (CHEVROLET/FORD).
 2. LOCATION ON PUSHER CHASSIS WHERE A/C CONTROL PANEL WIRING CONNECTS TO CONDENSER FAN AND COMPRESSOR CLUTCH WIRING (SEE PUSHER CHASSIS WIRING DIAGRAM).



TEMPCON
 701 ANN ST., N.W.
 GRAND RAPIDS, MI 49504

TYPICAL CHASSIS CLUTCH AND CONDENSER FAN CIRCUIT



TEMPCON
701 ANN ST., N.W.
GRAND RAPIDS, MI 49504