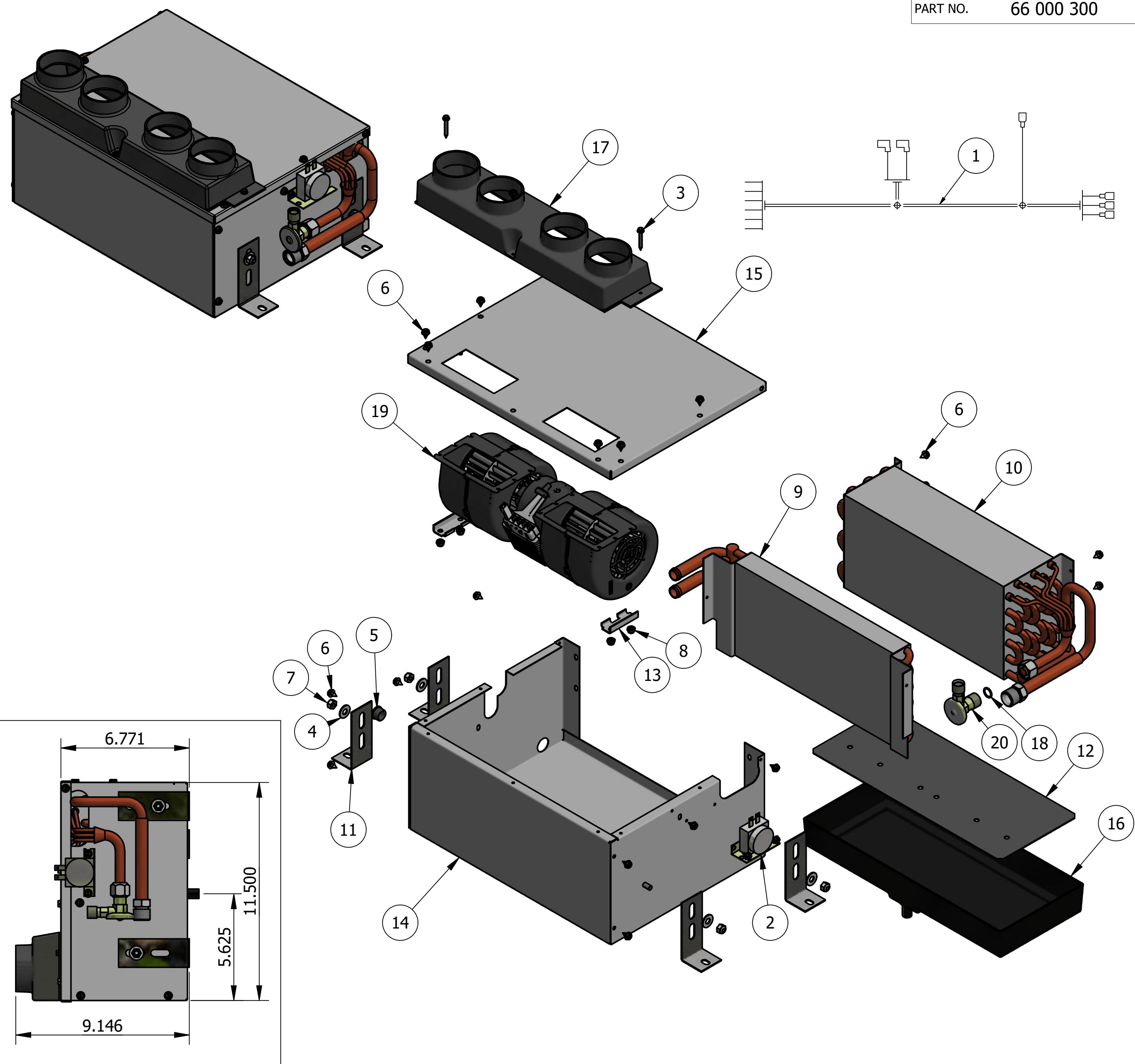
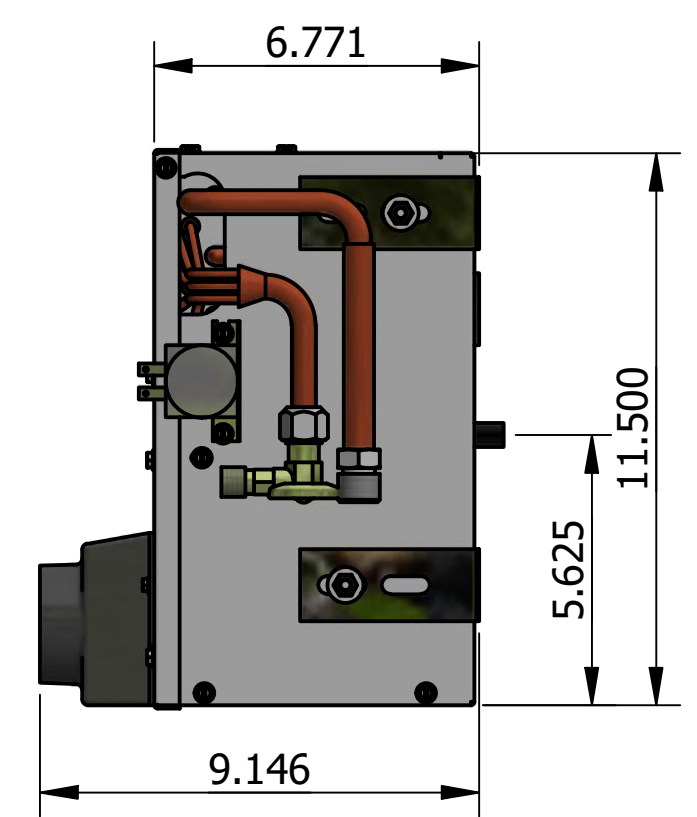
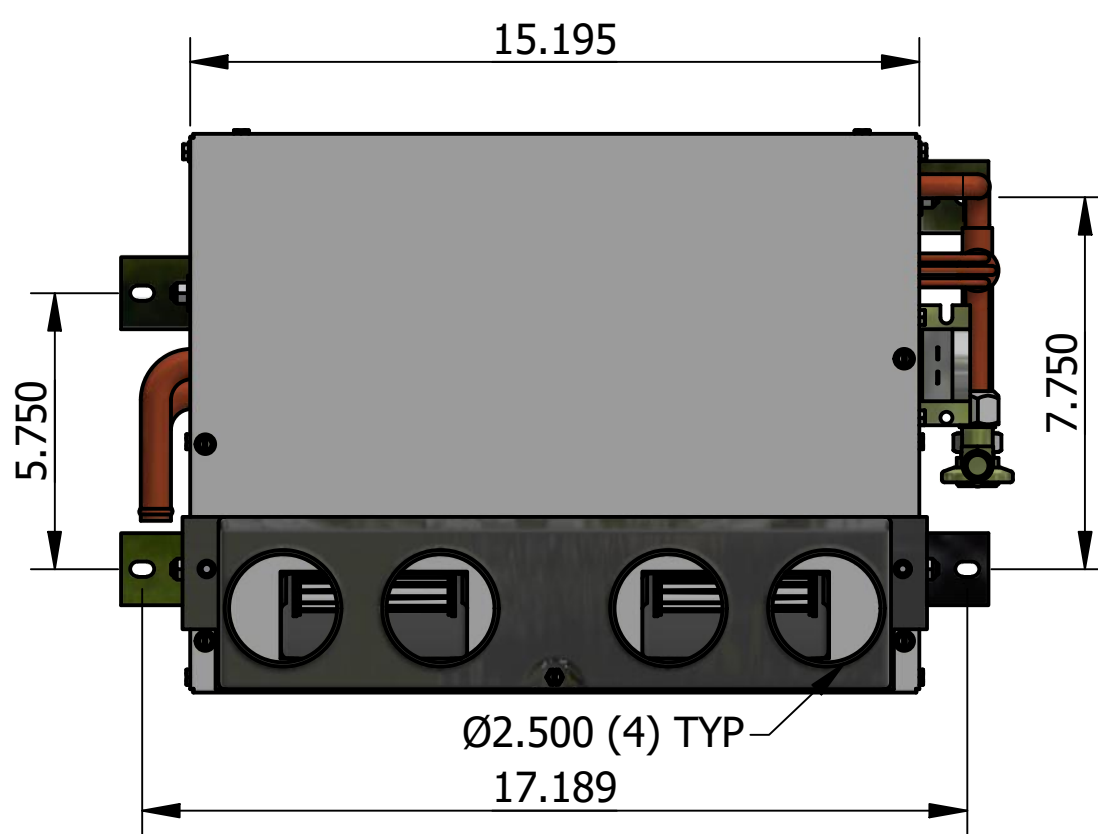
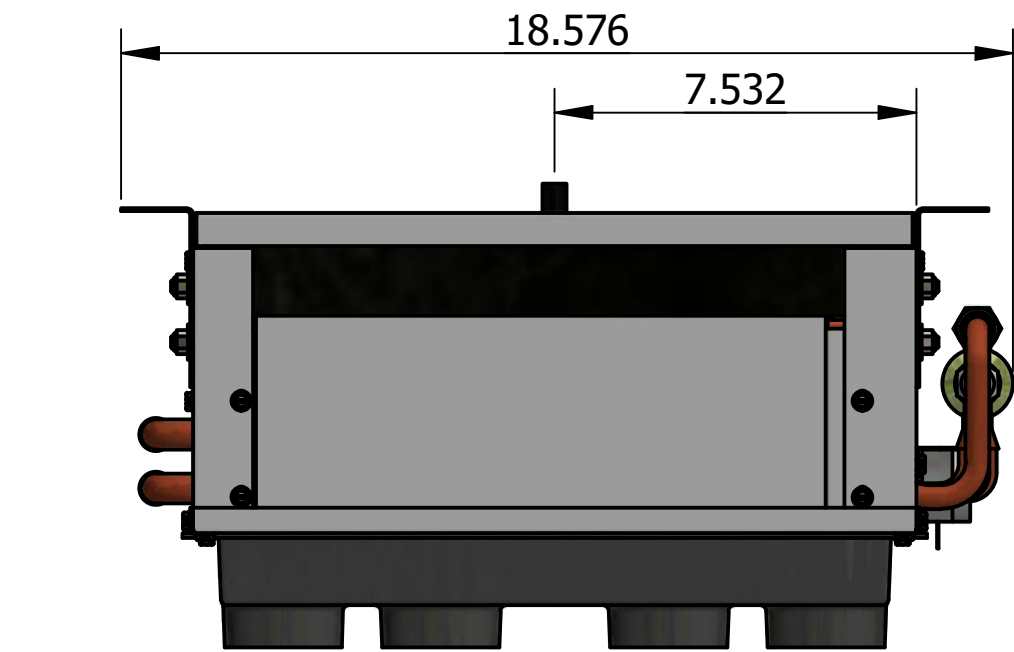


PARTS LIST			
ITEM	QTY	PART NUMBER	DESCRIPTION
1	1	01 000 073	HARN, BLOWER / T'STAT
2	1	01 000 351	T'STAT, NON-ADJ (31-39)
3	2	02 000 040	SCREW, 8 x 1 1/4 HEX WSHR ZINC TEK
4	4	02 000 043	WASHER, 1/4 FLAT ZINC
5	1	02 000 056	GROMMET, 1/2" ID 5/8" OD
6	21	02 000 227	SCREW, 10 x 3/8 HEX WSHR TYPE A
7	4	02 000 283	NUT, 1/4-20 NYLON LOCK
8	4	02 000 453	NUT, 10-24 NYLON LOCK
9	1	03 000 129	COIL, HEAT ONLY
10	1	03 000 142	COIL, A/C 980 W/90 VLV
11	4	06 000 167	MOUNTING BRACKET
12	1	06 000 532	DEFLECTOR, 980 DRAIN PAN
13	2	06 000 789	BRKT, MOTOR HOLD DOWN
14	1	06 000 992	CASE, BOTTOM 983
15	1	06 000 993	CASE, TOP 983
16	1	07 000 482	PAN, 980 DRAIN
17	1	07 000 558	PLENUM, FOUR HOLE 983
18	1	08 000 008	O-RING, #8 13/32
19	1	11 000 156	BLOWER ASSY, 12v DBL SM W/SP RE
20	1	63 000 432	VALVE, EXPAN P-NUT W/SCREEN FUJ

PART NO. 66 000 300

MOUNT INFO



PROPRIETARY & CONFIDENTIAL. UNPUBLISHED WORK COPYRIGHT PRO AIR LLC. PRO AIR, LLC CLAIMS PROPRIETARY RIGHTS IN THE MATERIAL DISCLOSED HEREON. NEITHER THIS DRAWING NOR ANY REPRODUCTION OR PORTION THEREOF MAY BE DISTRIBUTED OR USED TO MANUFACTURE ANYTHING SHOWN HEREON WITHOUT PERMISSION IN WRITING FROM PROAIR, LLC.

REV. A

A 18-232		RELEASED TO PRODUCTION		CEB	10/16/18	 2900 COUNTY RD 6 W ELKHART, IN 46514	TITLE:	FRIGIKING, 983 HEAT COOL		PART NO.	66 000 300		
LET.	NO.	REVISION		BY	DATE		APPROVED	USAGE:	ALL		SCALE:	.25 : 1	SIZE
										SHEET	1	OF	1