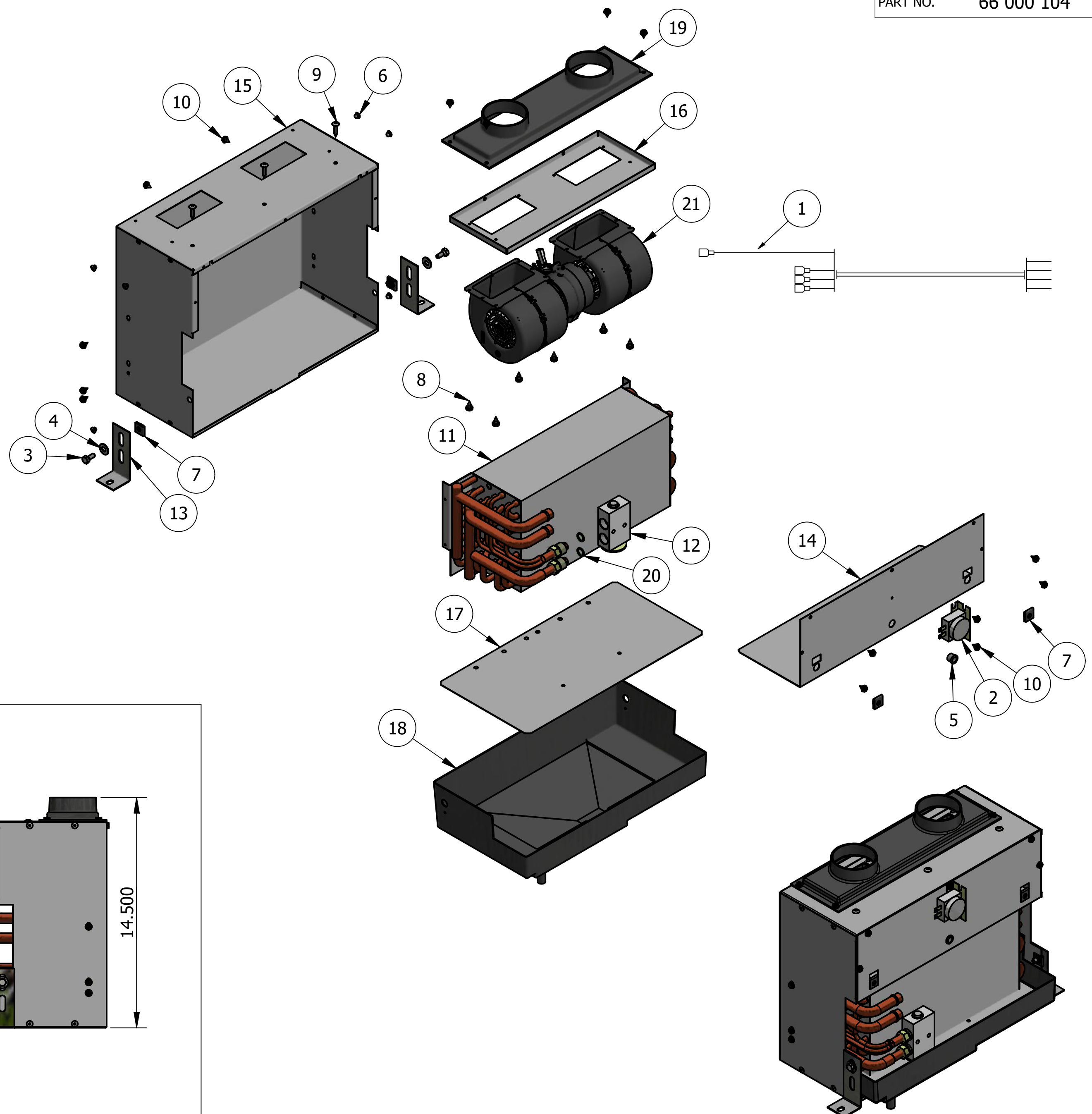
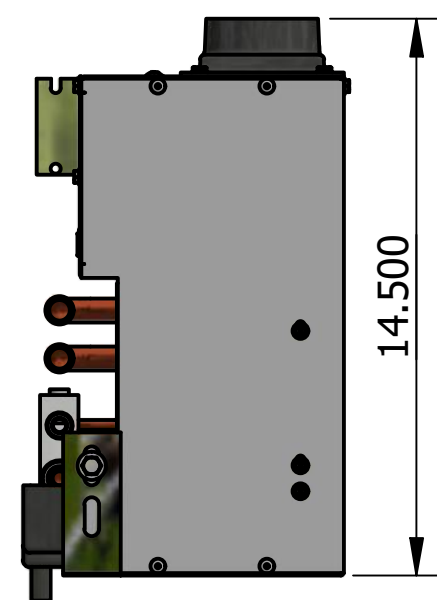
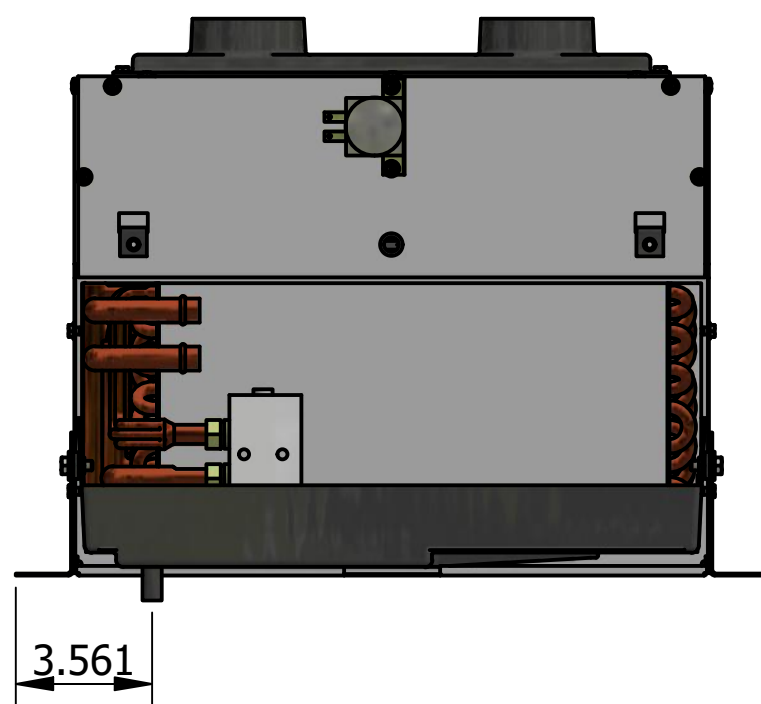
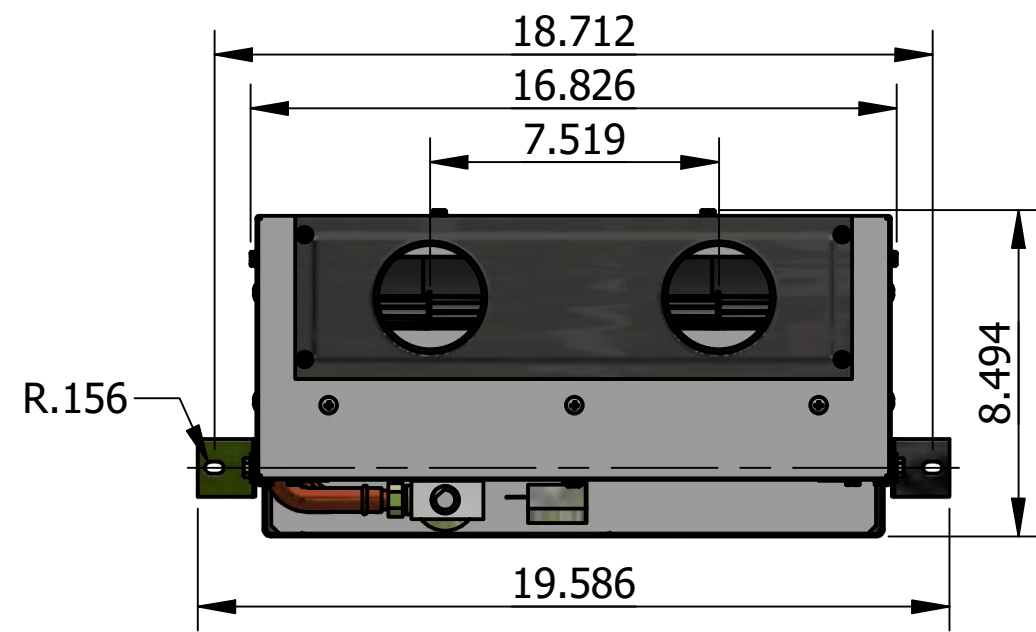


PARTS LIST			
ITEM	QTY	PART NUMBER	DESCRIPTION
1	1	01 000 071	HARN, BLOWER MAIN
2	1	01 000 351	T'STAT, NON-ADJ (31-39)
3	2	02 000 042	BOLT, 1/4-20 x 5/8 HEX ZINC
4	2	02 000 043	WASHER, 1/4 FLAT ZINC
5	1	02 000 055	GROMMET, 3/8" ID 1/2" OD
6	8	02 000 096	RIVET, 3/16 x 9/32
7	4	02 000 104	NUT, 1/4-20 CAGE
8	6	02 000 107	SCREW, 10 x 1/2 PH PHIL BLK
9	3	02 000 114	SCREW, 10 X 1" PHIL TRUSS HEAD
10	18	02 000 227	SCREW, 10 x 3/8 HEX WSHR TYPE A
11	1	03 000 102	COIL, HEAT COOL 921
12	1	05 000 022	VALVE, EXP BLOCK 134a 2T
13	2	06 000 167	MOUNTING BRACKET
14	1	06 000 395	PLATE, BLOWER DIVIDER
15	1	06 000 396	HOUSING, 921 MAIN
16	1	06 000 397	MOUNT, 921 MOTOR
17	1	06 000 398	DEFLECTOR, DRAIN PAN
18	1	07 000 443	PAIN, DRAIN
19	1	07 000 444	PLENUM, TWO 3" OUTLETS
20	2	08 000 008	O-RING, #8 13/32
21	1	11 000 156	BLOWER ASSY, 12v DBL SM W/SP RE

PART NO. 66 000 104



MOUNT INFO



PROPRIETARY & CONFIDENTIAL. UNPUBLISHED WORK COPYRIGHT PRO AIR LLC. PRO AIR, LLC CLAIMS PROPRIETARY RIGHTS IN THE MATERIAL DISCLOSED HEREON. NEITHER THIS DRAWING NOR ANY REPRODUCTION OR PORTION THEREOF MAY BE DISTRIBUTED OR USED TO MANUFACTURE ANYTHING SHOWN HEREON WITHOUT PERMISSION IN WRITING FROM PROAIR, LLC.

REV. A

A		18-232		RELEASED TO PRODUCTION		CEB		11/26/18		 <b>2900 COUNTY RD 6 W ELKHART, IN 46514</b>		TITLE:		PART NO. 66 000 104	
LET.		NO.		REVISION		BY		DATE				APPROVED		FRIGIKING, 921 HEAT COOL	
												USAGE:		SHEET 1 OF 1	
												ALL		SIZE A	