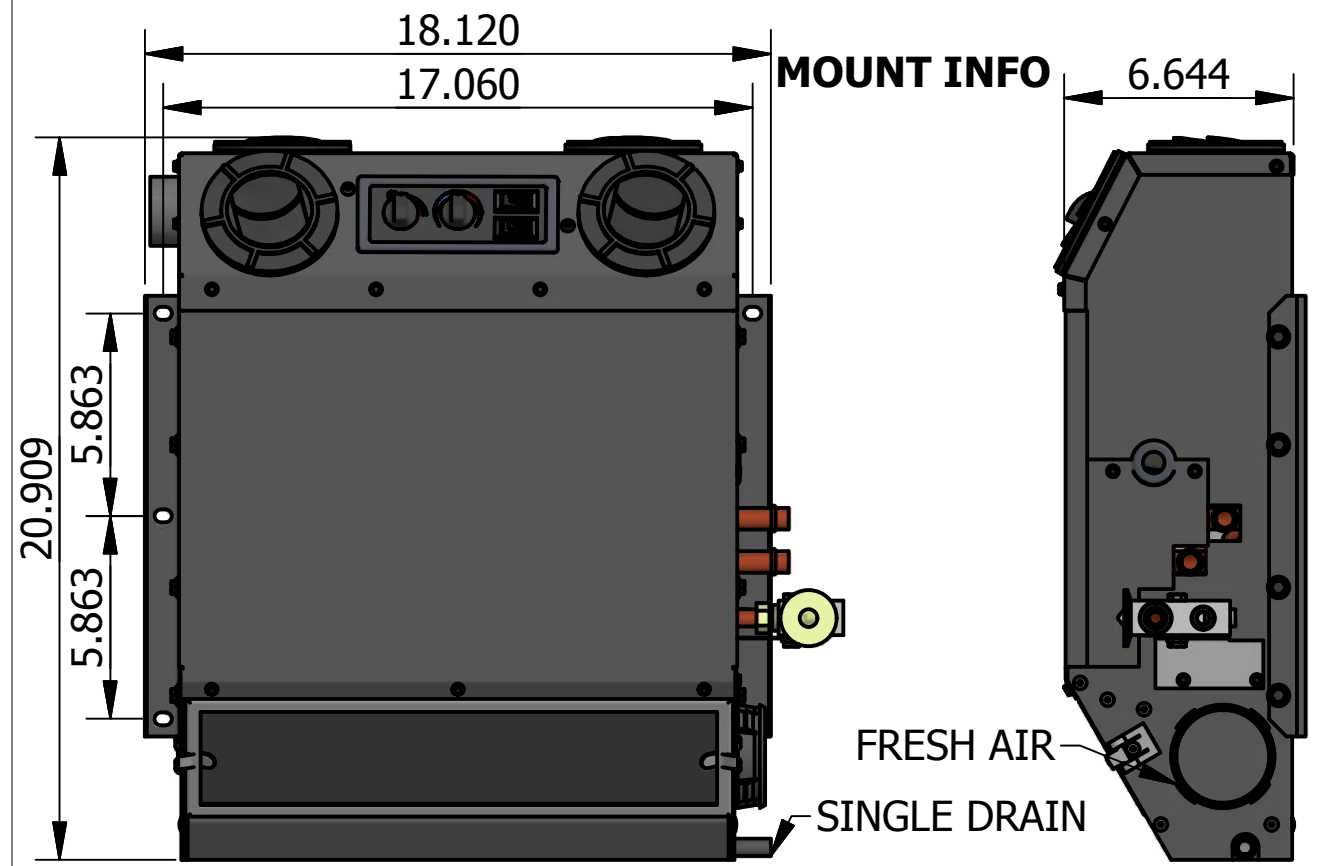
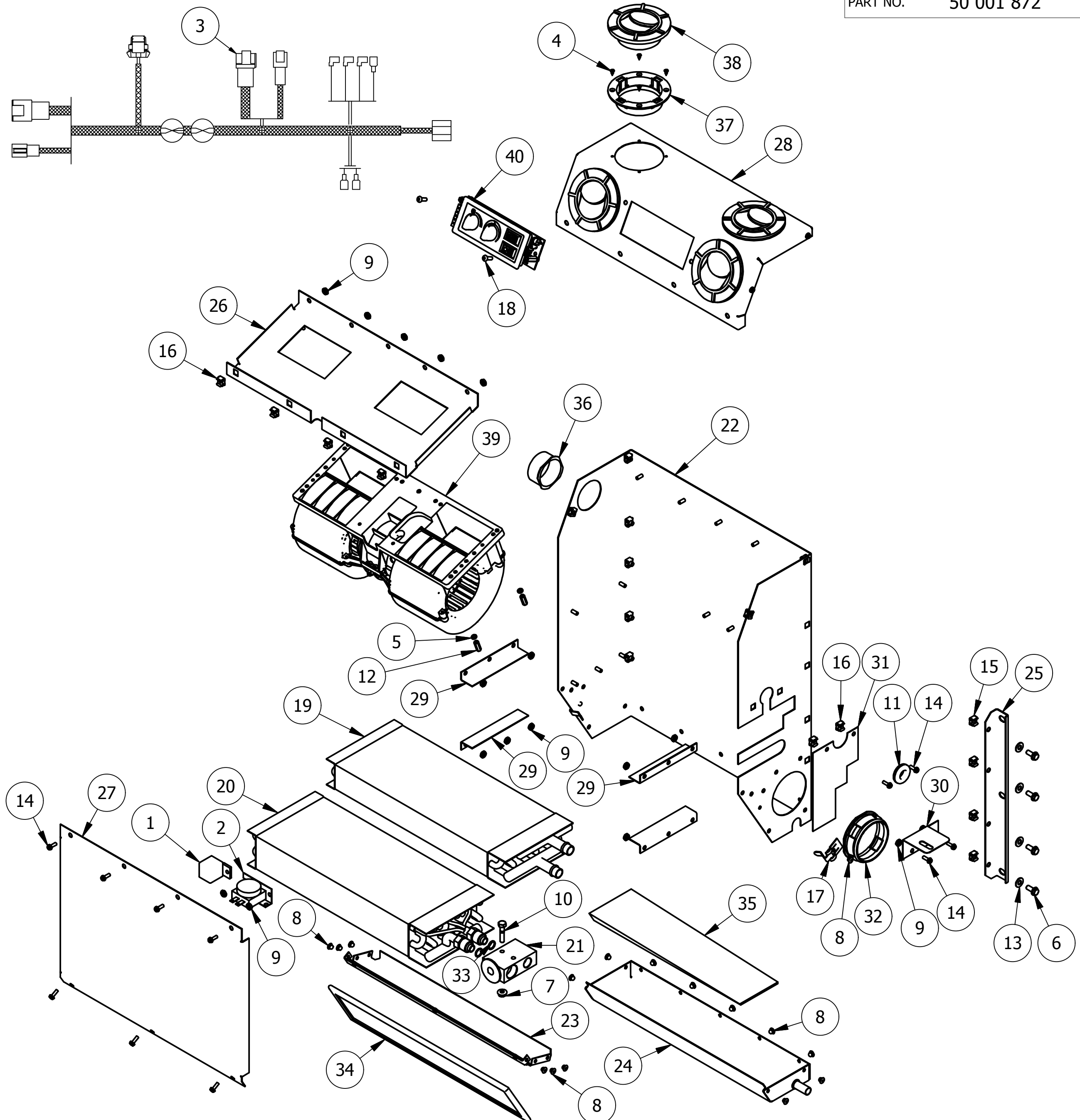


PARTS LIST - 66 000 575

ITEM	QTY	PART NUMBER	DESCRIPTION
1	1	01 000 136	RELAY, 12v 40/20 AMP
2	1	01 000 351	T'STAT, NON-ADJ (31-39)
3	1	01 001 022	HARN, WIRE WM2030
4	16	02 000 030	SCREW, 6 x 3/8 FH PHIL ZINC
5	6	02 000 045	WASHER, 3/16 SPLIT LOCK ZINC
6	8	02 000 066	BOLT, 1/4-20 x 5/8 HEX BLK SEMS
7	1	02 000 091	NUT, 1/4-20 x SER/FLG LOCK
8	17	02 000 096	RIVET, 3/16 x 9/32
9	17	02 000 115	NUT, 10-24 HEX ZINC
10	1	02 000 240	BOLT, 1/4-20 x 1 1/4 SS
11	1	02 000 241	GROMMET, RUBBER ISOLATION
12	6	02 000 585	NUT, COUPLING 8-32, 3/4 x 1/4
13	8	02 000 719	WASHER, 1/4 FLAT SS BLK-OXIDE
14	15	02 000 727	SCREW, 10-24x1/2 HEX WSHR BLK SS
15	8	02 000 729	NUT,CAGE 1/4-20, .025 TO .063
16	10	02 000 730	NUT,CAGE 10-24, .025 TO .063
17	2	02 000 769	CLIP, QUICK RELEASE A26
18	2	02 000 771	SCREW, 10-32 x 5/8 BUTTON HEAD
19	1	03 000 258	COIL, HEAT 13.5 x 6 x 1.875
20	1	03 000 259	COIL, A/C 13.5 x 6 x 2.5
21	1	05 000 022	VALVE, EXP BLOCK 134a 2T
22	1	06 002 019	PLATE, MAIN
23	1	06 002 020	PLATE, DRAIN SHEILD
24	1	06 002 021	DRAIN PAN
25	2	06 002 022	BRKT, UNIT MOUNT
26	1	06 002 023	PLATE, BLOWER MOUNT
27	1	06 002 024	PLATE, FRONT
28	1	06 002 025	PLATE, TOP LOUVERS / CONTROLS
29	4	06 002 026	BRKT, COIL SLIDE MOUNTS
30	1	06 002 027	BRKT, EXP VALVE
31	1	06 002 028	PLATE, COIL SHEILD
32	1	07 000 741	ADAP, 3" HOSE
33	2	08 000 008	O-RING, #8 13/32
34	1	08 000 286	FILTER, 4 x 15.9
35	1	08 000 290	FOAM DIVERTER DRAIN PAN
36	1	11 000 028	ADAPT, 2" HOSE SNAP-IN
37	4	11 000 053	RETAINER ONLY, 3" EURO LOUVER
38	4	11 000 158	LOUVER, 4" ROUND CONVENTIONAL
39	1	11 000 214	BLOWER ASSY, W/RESIS 12V
40	1	67 000 173	PANEL, CONTROL HT/AC 12/24v WM2030

PART NO. 50 001 872



PROPRIETARY & CONFIDENTIAL. UNPUBLISHED WORK COPYRIGHT PRO AIR LLC. PRO AIR, LLC CLAIMS PROPRIETARY RIGHTS IN THE MATERIAL DISCLOSED HEREON. NEITHER THIS DRAWING NOR ANY REPRODUCTION OR PORTION THEREOF MAY BE DISTRIBUTED OR USED TO MANUFACTURE ANYTHING SHOWN HEREON WITHOUT PERMISSION IN WRITING FROM PROAIR, LLC.

REV. A

A		17-145		RELEASED TO PRODUCTION		CEB		12/5/17		 2900 COUNTY RD 6 W ELKHART, IN 46514		TITLE:		PART NO. 50 001 872	
LET.		NO.		REVISION		BY		DATE				APPROVED		PP, WALL MOUNT 2030	
										USAGE:		WM2030		SHEET 1 OF 1	