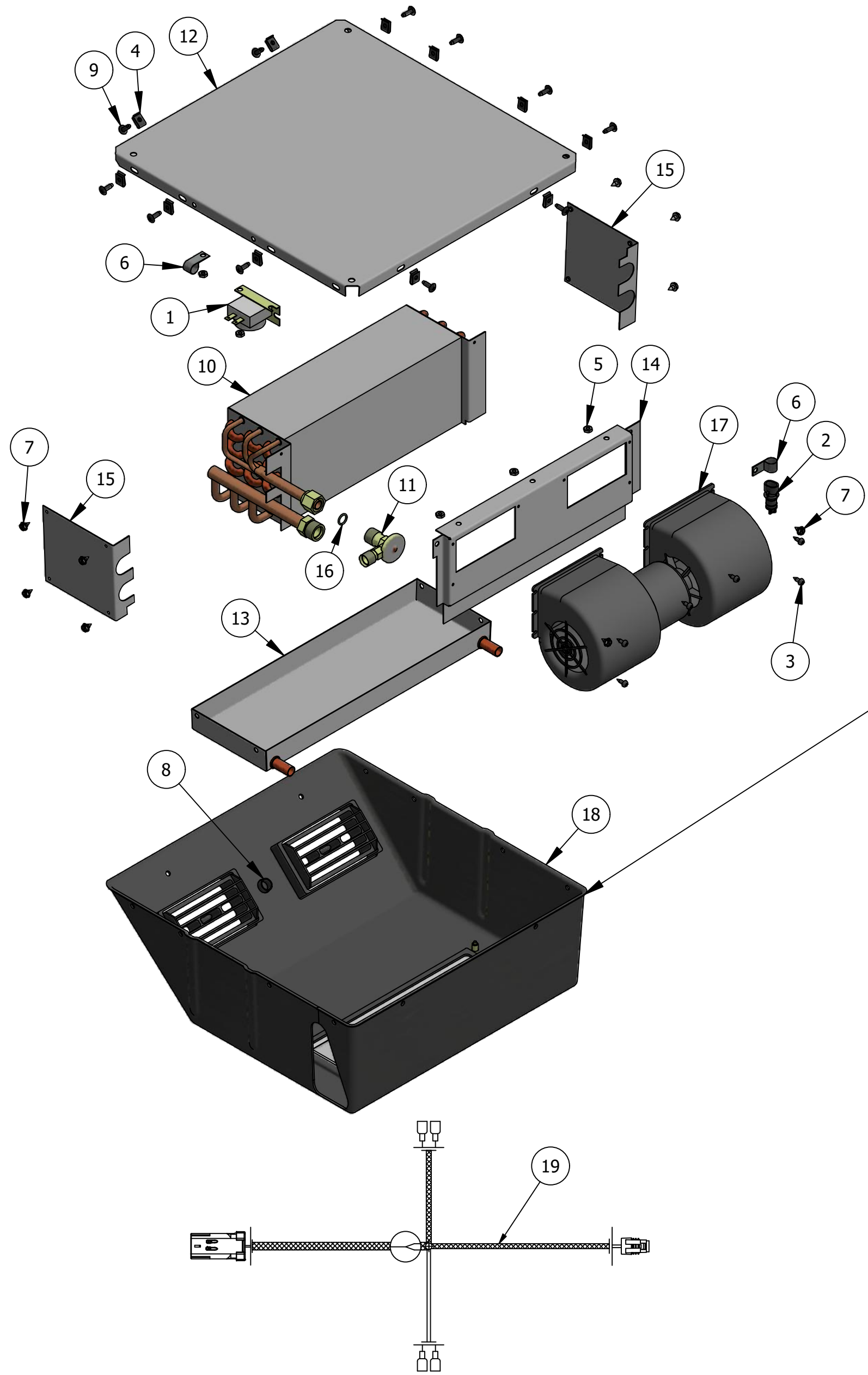
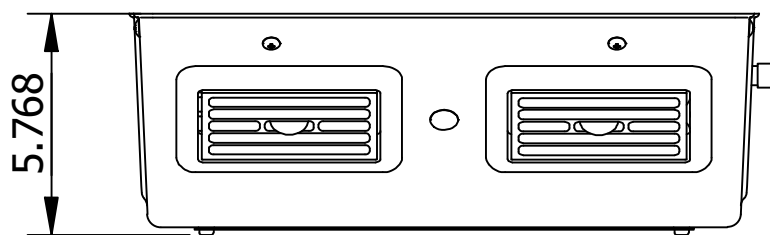
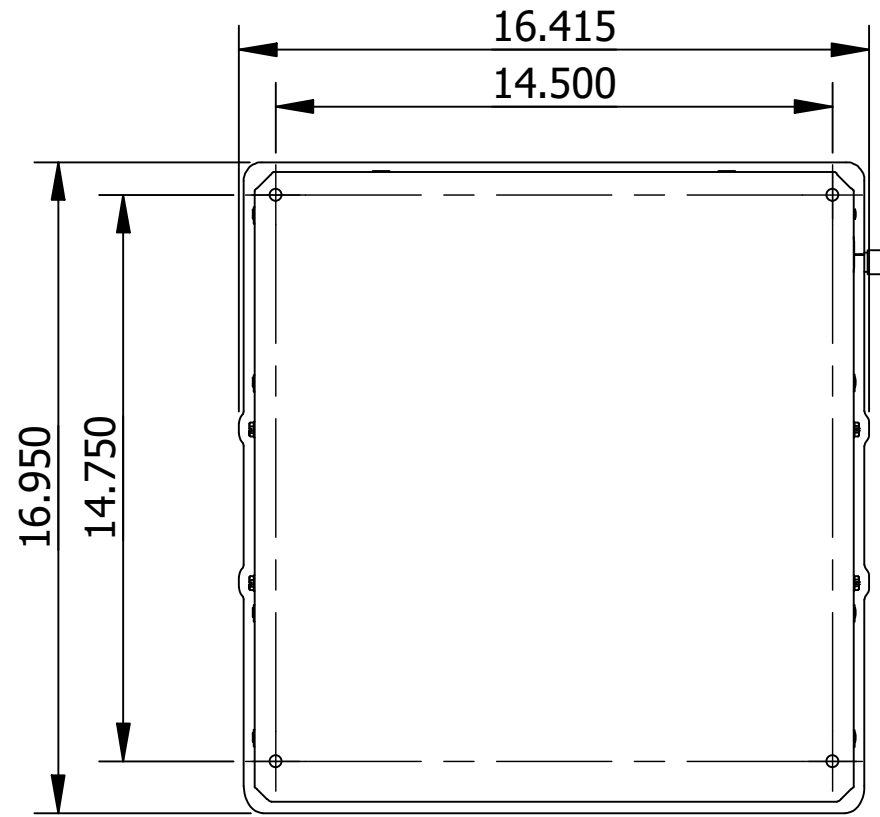


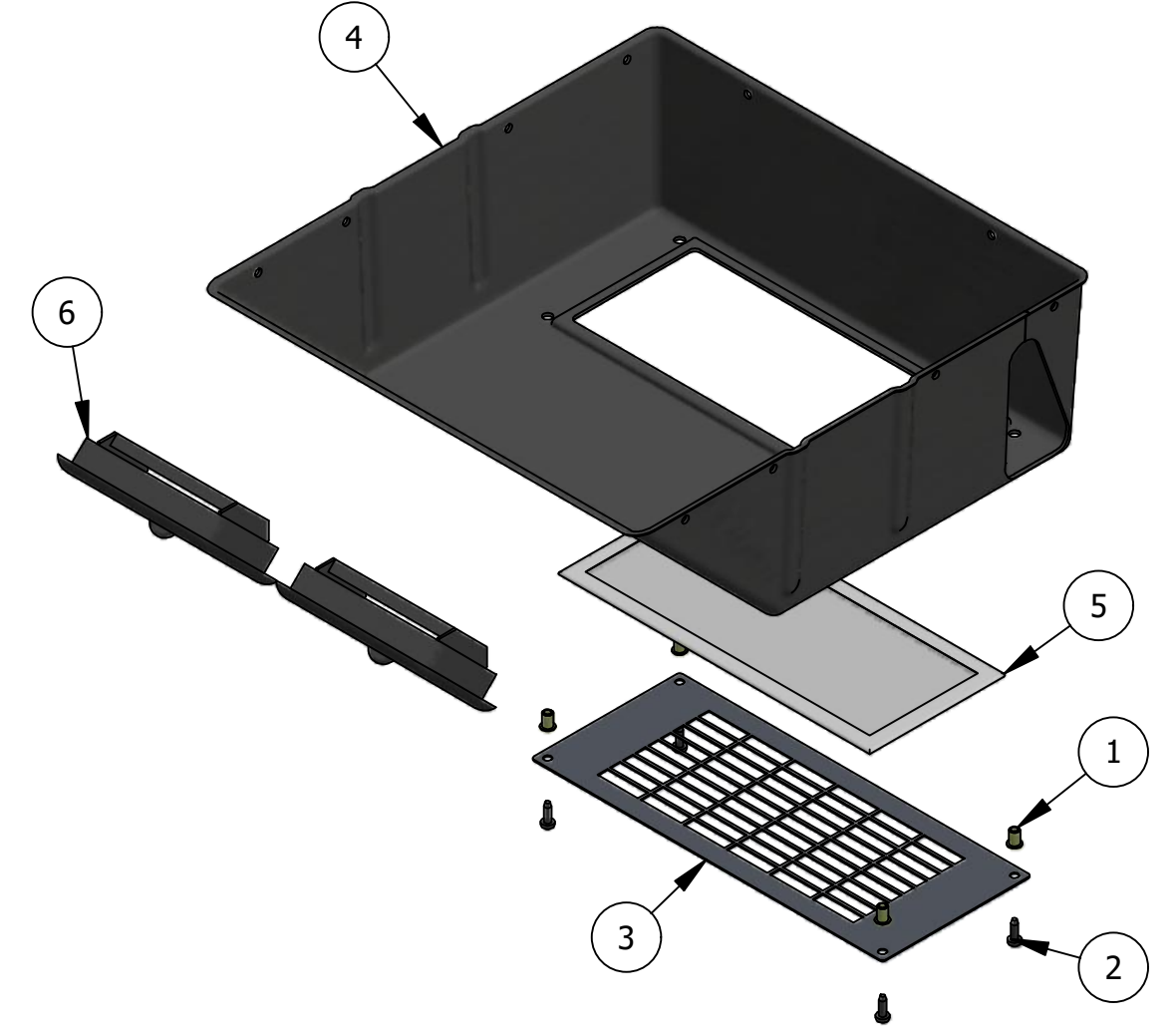
PARTS LIST			
ITEM	QTY	PART NUMBER	DESCRIPTION
1	1	01 000 351	T'STAT, NON-ADJ (31-39)
2	1	01 000 733	SENSOR, AIR TEMPERATURE
3	6	02 000 034	SCREW, 8 x 1/2 PH PHIL BLK
4	11	02 000 106	SPEED CLIP, #10
5	5	02 000 115	NUT, 10-24 HEX ZINC
6	2	02 000 203	LINESTAKE, 1/2" I.D.
7	10	02 000 227	SCREW, 10 x 3/8 HEX WSHR TYPE A
8	1	02 000 400	PLUG, 5/8" PLASTIC CAP
9	11	02 000 450	SCREW, 10 x 5/8 TORX PAN SS BLK SN
10	1	03 000 148	COIL, COOL ONLY 500
11	1	05 000 458	VALVE, EXPAN FK 1.0 TON O-RING
12	1	06 001 537	PLATE, MAIN
13	1	06 001 538	PAN, DRAIN
14	1	06 001 539	PLATE, BLOWER MTG
15	2	06 001 541	BRKT, DRAIN PAN MTG
16	1	08 000 008	O-RING, #8 13/32
17	1	11 000 156	BLWR ASS'Y, SPAL 12v DBL SMALL
18	1	60 001 660	COVER, FILTER ASSY
19	1	01 000 973	HARN, SINGLE SPEED TEMP PROBE

MOUNT INFO



PART NO. 50 001 575

PARTS LIST-60 001 660			
ITEM	QTY	PART NUMBER	DESCRIPTION
1	4	02 000 593	INSERT, 10-24 UNC (.020-.130) GAP
2	4	02 000 597	SCREW, 10-24 x 5/8 BLK TYPE 23 T
3	1	06 001 542	GRILL, FILTER
4	1	07 000 670	COVER, CENTER MOUNT A/C UNIT
5	1	08 000 152	FILTER, 3/16 x 5 x 5 1/2 WASHABLE
6	2	11 000 179	LOUVER, RECT 1 1/2 x 3 3/4 x 5



PROPRIETARY & CONFIDENTIAL. UNPUBLISHED WORK COPYRIGHT PRO AIR LLC. PRO AIR, LLC CLAIMS PROPRIETARY RIGHTS IN THE MATERIAL DISCLOSED HEREON. NEITHER THIS DRAWING NOR ANY REPRODUCTION OR PORTION THEREOF MAY BE DISTRIBUTED OR USED TO MANUFACTURE ANYTHING SHOWN HEREON WITHOUT PERMISSION IN WRITING FROM PROAIR, LLC.

REV. A

A	17-206	RELEASED TO PRODUCTION	CEB	8/9/17	 	 2900 COUNTY RD 6 W ELKHART, IN 46514	TITLE:	PART NO. 50 001 575	
							520, OVER HEAD SINGLE SPD TEMP PROBE	SCALE: .2 : 1	SIZE A
							USAGE: X	SHEET 1 OF 1	