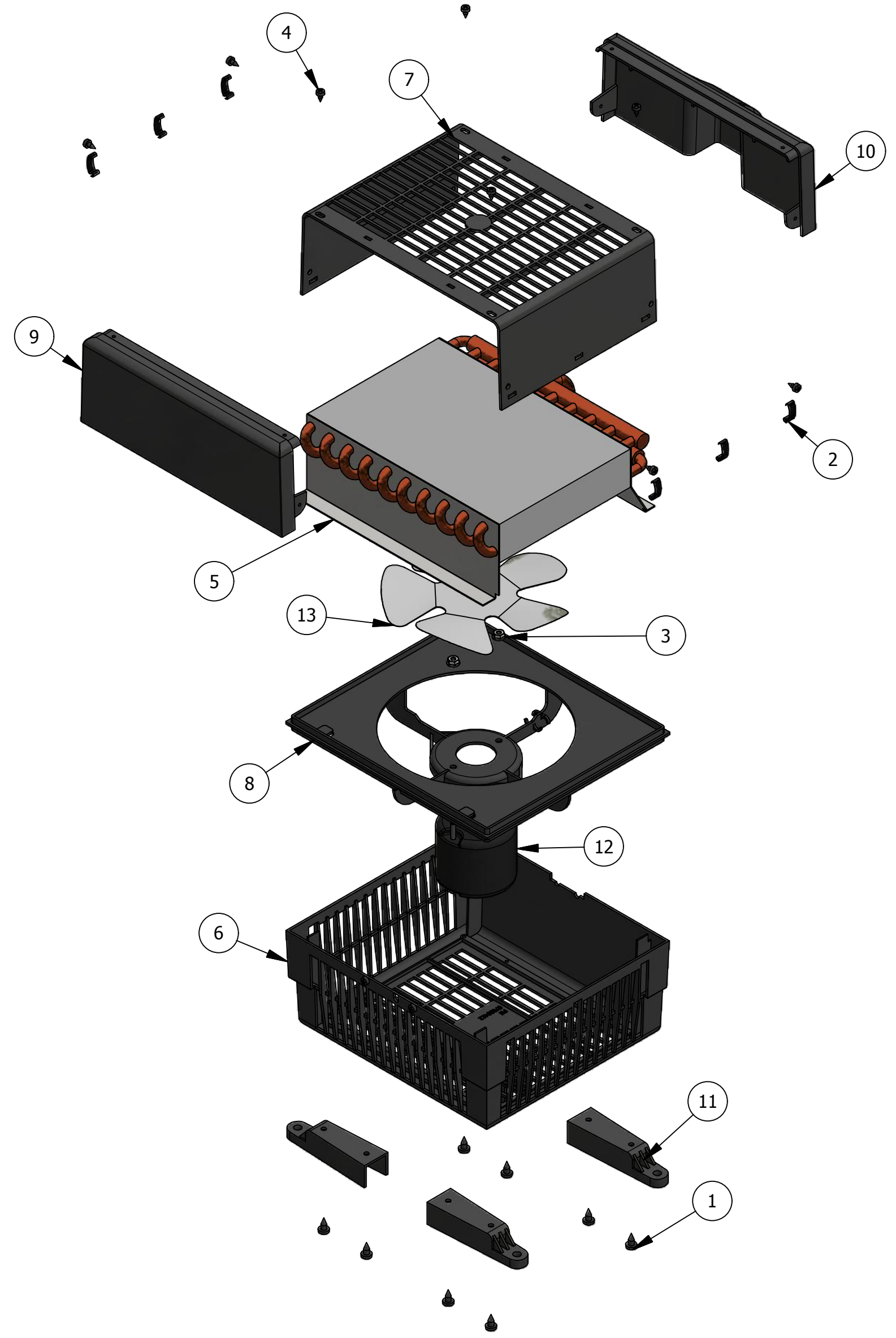
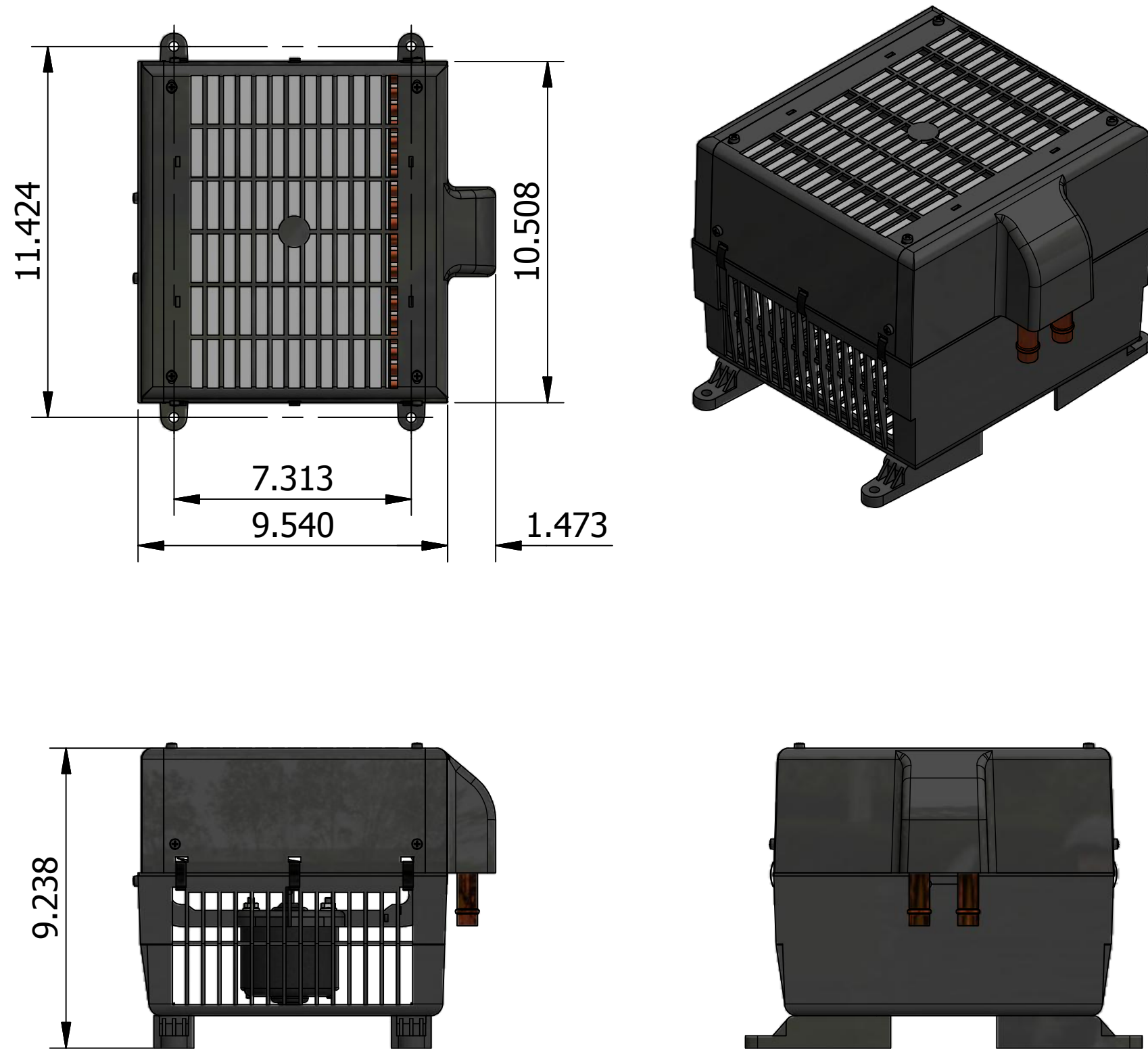


PARTS LIST			
ITEM	QTY	PART NUMBER	DESCRIPTION
1	8	02 000 107	SCREW, 10 x 1/2 PH PHIL BLK
2	6	02 000 122	CLIP, HOUSING AT INJ CASE
3	2	02 000 159	NUT, 10-32 SCR/FLG LOCK
4	10	02 000 233	SCREW, 8 x 3/8 PHIL PH BLK OX PLA
5	1	03 000 072	COIL, HEATER 435
6	1	07 000 412	CASE, BOTTOM HEATER
7	1	07 000 413	CASE, TOP HEATER
8	1	07 000 414	MOUNTG, 5.5" FAN-LOW PRO HTR
9	1	07 000 415	CAP, END BLANK
10	1	07 000 416	CAP, END - TUBE END
11	4	07 000 567	BRKT, BOTTOM LEG MOUNT
12	1	11 000 098	MOTOR, 12v 2-SPD SGL SHAFT W/GR
13	1	11 000 126	FAN, 7" BLADE HUB DISCHARGE

**MOUNT INFO**



PROPRIETARY & CONFIDENTIAL. UNPUBLISHED WORK COPYRIGHT PRO AIR LLC. PRO AIR, LLC CLAIMS PROPRIETARY RIGHTS IN THE MATERIAL DISCLOSED HEREON. NEITHER THIS DRAWING NOR ANY REPRODUCTION OR PORTION THEREOF MAY BE DISTRIBUTED OR USED TO MANUFACTURE ANYTHING SHOWN HEREON WITHOUT PERMISSION IN WRITING FROM PROAIR, LLC.

REV. A

A 18-001		RELEASED TO PRODUCTION		CEB	2/5/18	 2900 COUNTY RD 6 W ELKHART, IN 46514	TITLE:	PART NO. 66 000 066	
LET.	NO.	REVISION		BY	DATE		POWER PAK, HTR 435 35M BTU PLAS	SCALE: 1/4=1	SIZE A
				APPROVED			USAGE: 435	SHEET 1	OF 1