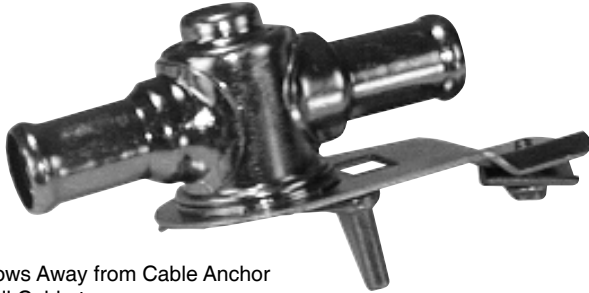


# WATER VALVE

034-00024



Flows Away from Cable Anchor  
Pull Cable to open  
Fits 5/8" Hose

*See 083-00073 for RV Applications*

034-00066



Flows toward Cable Anchor  
Pull Cable to open  
Fits 5/8" Hose

034-00044

Valve, Water, 3/4 x 3/4 Cable operated to pull close



Flows toward Cable Anchor  
Pull Cable to close  
Fits 3/4" Hose

083-00073



Flows away fro Cable Anchor  
Pull Cable to open  
Fits 5/8" Hose

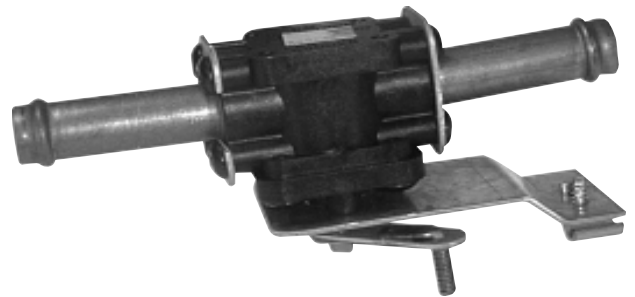
For use w/RV Dash Controls

034-00042



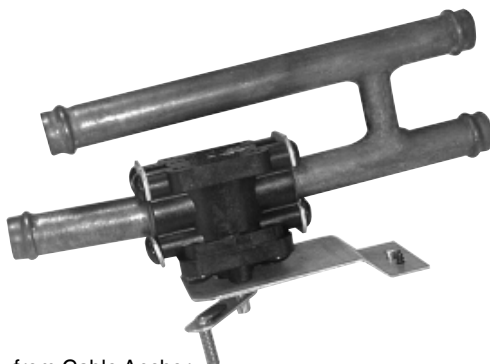
Flows toward Cable Anchor  
Pull Cable to open  
By-pass provides constant return flow  
Fits 5/8" Hose

093-00118



Flows away from Cable Anchor  
Pull Cable to open  
Fits 5/8" Hose

093-00119



Flows away from Cable Anchor  
Pull Cable to open  
By-pass provides constant return flow  
Fits 5/8" Hose

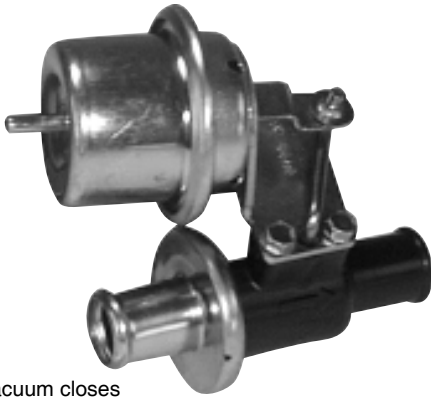
034-00039



Normally closed, Vacuum opens  
Fits 5/8" Hose

# WATER VALVE

034-00028



Normally open, Vacuum closes  
Fits 5/8" Hose

034-00014  
Water Valve



034-00037

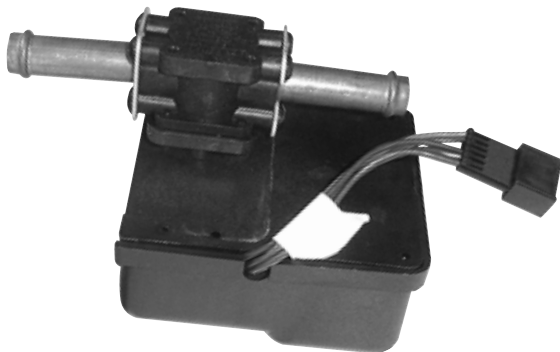


Can be used as Normally open or Normally closed  
Provides constant return flow  
Fits 5/8" Hose

034-00043  
Water Valve, 4 Port, VAC Steel Vac Motor...See 034-00037 for Plastic

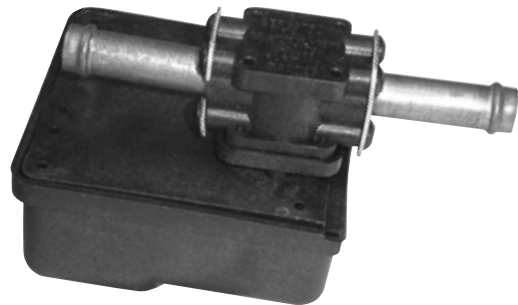


034-00113



Requires External Driver Circuit  
Fits 5/8" Hose

034-00110



w/Internal Driver Circuit  
Fits 5/8" Hose

034-00137



034-00036  
Water Valve, 4 Port, Electronic Diverter Dumb Motor...See 034-00113 & 034-00114 for Bergstrom

