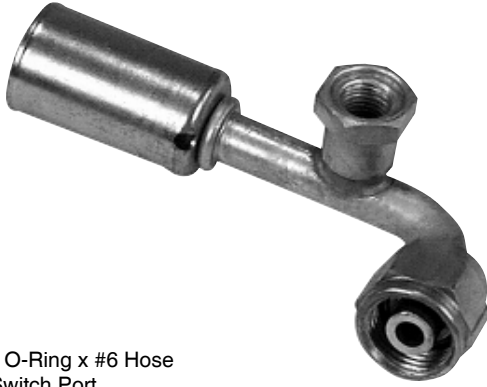


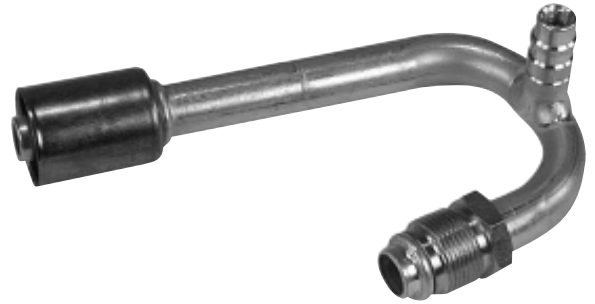
# SPECIAL HOSE FITTINGS

050-00141



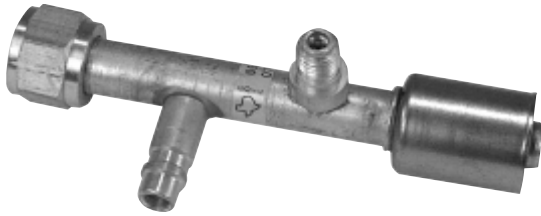
#6 Female O-Ring x #6 Hose  
With 3/8" Switch Port

050-00161



#10 Male O-Ring x #10 Hose  
With R134a Service Port

050-00173



#10 Male O-Ring x #10 Hose  
With R134a Service Port and 12MM Port

050-00175



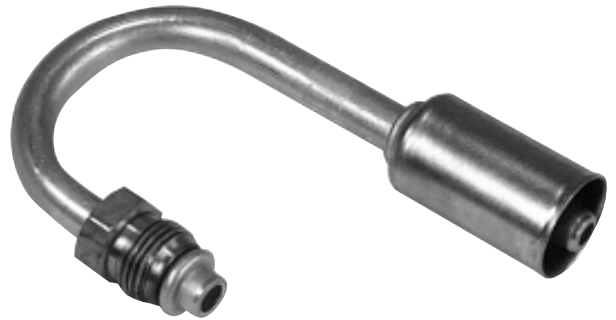
Fits Harrison/Delphi Compressor and #10 Hose

050-00220



Fits Seltec/Tama Compressor and #12 Hose

050-00662



#6 Male O-Ring x #6 Hose

050-00674



Fits Seltec/Tama Compressor and #10 Hose

050-00675



Fits Harrison/Delphi Compressor and #10 Hose

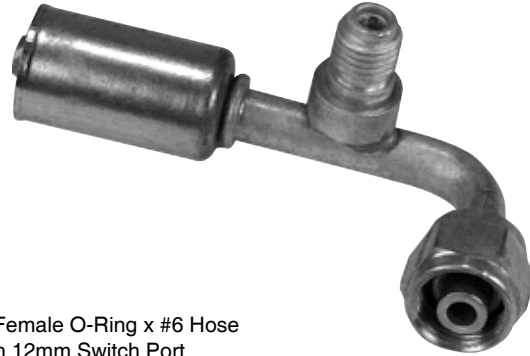
# SPECIAL HOSE FITTINGS

050-00677



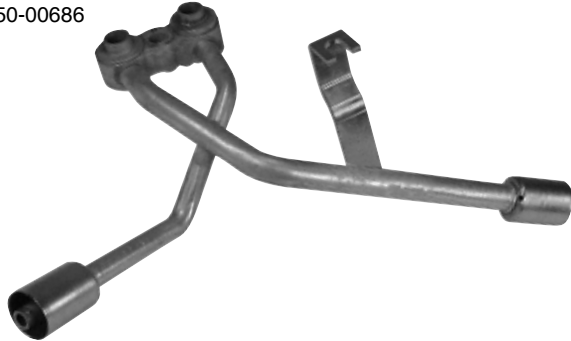
#10 Male O-Ring x #10 Hose  
With 12mm Switch Port

050-00751



#6 Female O-Ring x #6 Hose  
With 12mm Switch Port

050-00686



Fits Harrison/Delphi Compressor, #8 and #10 Hose  
Use Sealing Washer 021-00070 and Bolt 020-00045

050-00702



#10 Female O-Ring x #12 Hose  
With 12mm Switch Port and R134a Service Port

050-00600 #6  
050-00671 #8  
050-00601 #10  
050-00724 #12



Hose Splicer

050-00142 #6  
050-00281 #8  
050-00607 #10  
050-00608 #12



Hose Splicer with R134a Service Port

050-00703



#8 Female O-Ring x #8 Hose  
With 10mm Switch Port and R134a Service Port

050-00153



#10 Female O-Ring x #10 Hose  
with R134a Service Port