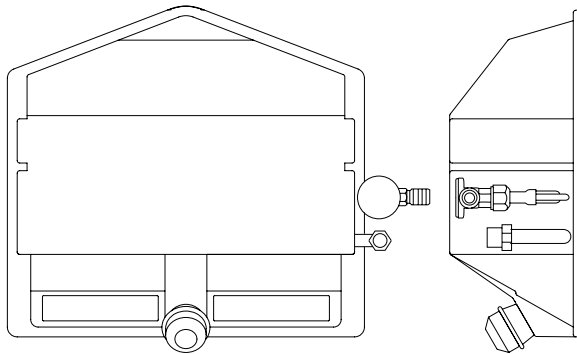


REPLACEMENT PARTS - SCS MOTORHOME UNITS

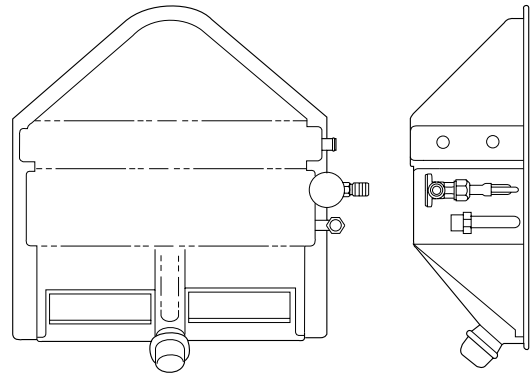
SCS STACKED UNIT



Applications:
1993-2000 MONACO

Replacement Parts:
041-00026 Evaporator Coil
034-00029 Expansion Valve
042-00010 Heater Coil
035-00006 Resistor
033-00003 Thermostat
030-00035 Vacuum Motor

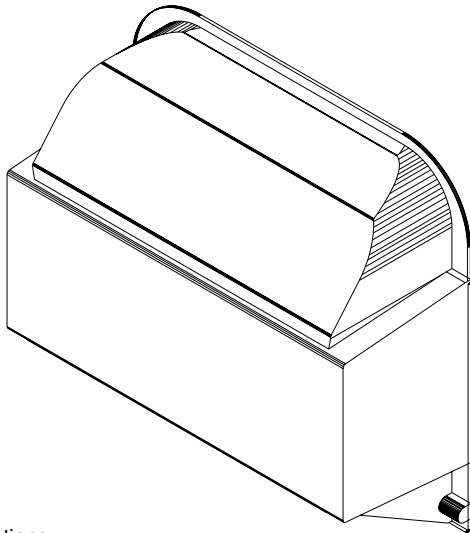
Model HC206



Applications:
1991—1999 DAMON
1996 and later FOREST RIVER
1992—1994 FOUR WINDS
1990—1992 GEORGIE BOY
1990 and later GULFSTREAM
1990—1994 HALLCRAFT
1990—1992, 1998 and later MONACO
1990—1993, 1998 and later HOLIDAY RAMBLER
1990—2000 REXHALL
2000 R-VISION

Replacement Parts:
041-00046 Evaporator Coil
034-00029 Expansion Valve
042-00019 Heater Coil
035-00006 Resistor (some Models)
033-00003 Thermostat
030-00046 Vacuum Motor, 1 Port 2.5" Arm

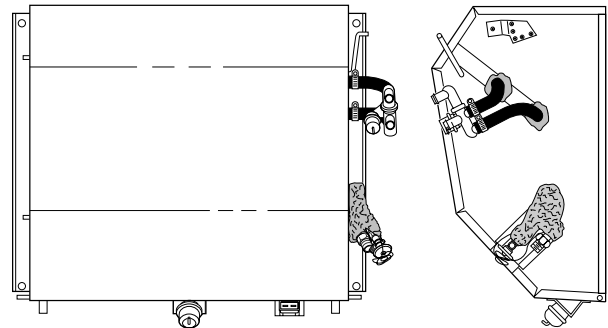
Model HC206A



Applications:
2000 and later FOREST RIVER
2000 and later GULFSTREAM
2000 and later MONACO
2000 REXHALL
2000 and later R-VISION

Replacement Parts:
042-00052 Heater Coil
041-00157 Evaporator Coil
034-00029 Expansion Valve
042-00044 Heater Coil
035-00006 Resistor
033-00003 Thermostat
030-00046 Vacuum Motor 1 Port 2.5" Arm

Model HC207

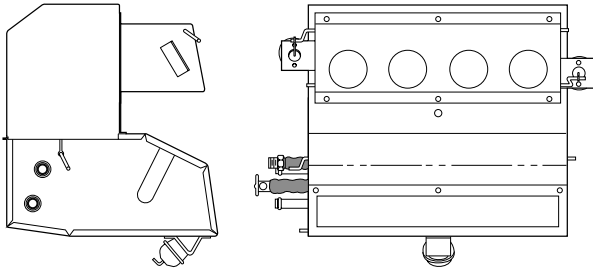


Applications:
1990—1992 FORETRAVEL
1994—1996 HOLIDAY RAMBLER
1995 and later VOGUE

Replacement Parts:
041-00046 Evaporator Coil
034-00029 Expansion Valve
042-00019 Heater Coil
033-00003 Thermostat
030-00046 Vacuum Motor, 1 Port 2.5" Arm

REPLACEMENT PARTS - SCS MOTORHOME UNITS

MODEL HC210

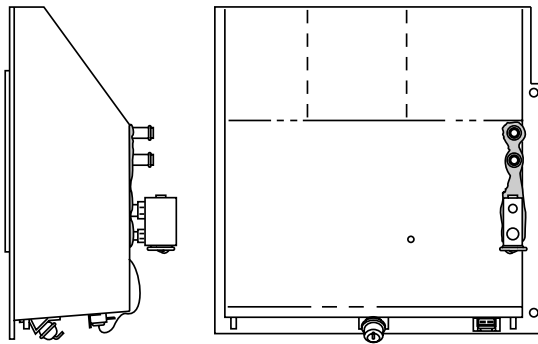


Applications:
 1990—1999 COUNTRY COACH
 1991—1992 GULFSTREAM
 1994 and later NEWELL

Replacements Parts:

030-00054 Blower Motor
 062-00252 Blower Wheel
 041-00045 Evaporator Coil
 034-00029 Expansion Valve
 042-00019 Heater Coil
 035-00011 Resistor
 033-00003 Thermostat
 030-00046 Vacuum, Motor, 1 Port, 2.5" Arm
 030-00025 Vacuum Motor, 1 Port, 2" Arm
 030-00105 Vacuum Motor, 2 Port, 2" Arm

MODEL HC219

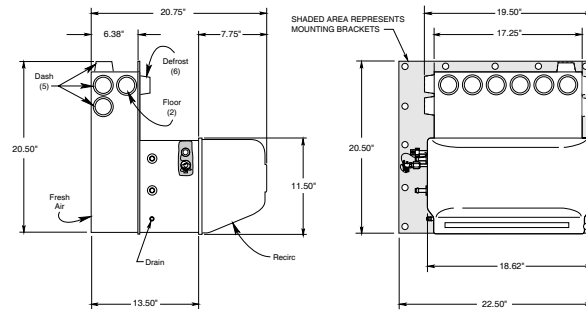


Applications:
 1988—1997 USA MOTORS
 1998 and later DYNAMAX

Replacement Parts:

041-00051 Evaporator Coil
 034-00046 Expansion Valve
 042-00027 Heater Coil
 035-00006 Resistor
 033-00003 Thermostat
 030-00046 Vacuum Motor, 1 Port, 2.5" Arm

MODEL HC212

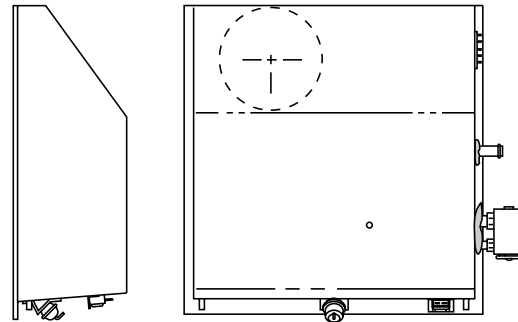


Applications:
 1994—1999 FORETRAVEL
 1995 and later HOLIDAY RAMBLER
 1994 and later MONACO

Replacement Parts:

030-00054 Blower Motor
 062-00258 Blower Wheel
 041-00059 Evaporator Coil
 034-00029 Expansion Valve
 042-00029 Heater Coil (automotive)
 042-00022 Heater Coil (auxiliary)
 035-00017 PC Board
 035-00011 Resistor
 033-00003 Thermostat

MODEL HC220



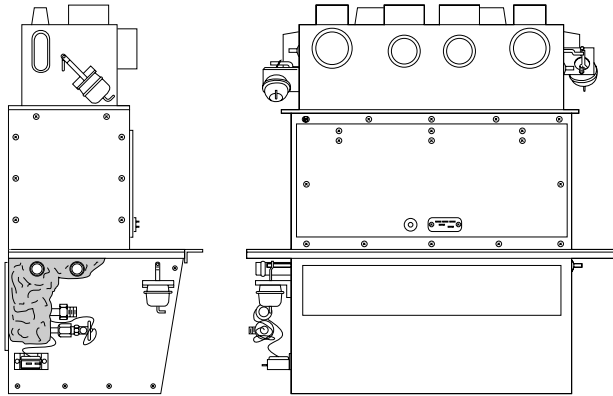
Applications:
 1993—1995 ELDORADO NATIONAL
 1998 and later EUROLINER

Replacement Parts:

041-00055 Evaporator Coil
 034-00046 Expansion Valve
 042-00020 Heater Coil
 035-00006 Resistor
 033-00003 Thermostat
 030-00046 Vacuum Motor, 1 Port, 2.5" Arm

REPLACEMENT PARTS - SCS MOTORHOME UNITS

MODEL HC230

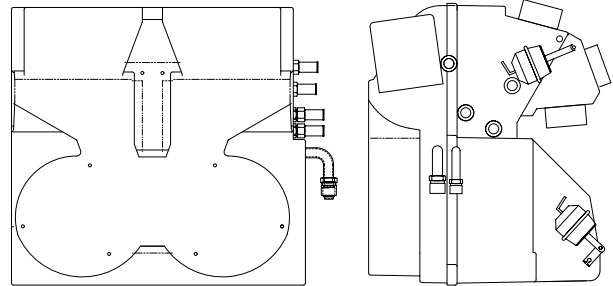


Applications:
1997 and later COUNTRY COACH

Replacements Parts:

030-00054 Blower Motor
062-00252 Blower Wheel
041-00046 Evaporator Coil
034-00029 Expansion Valve
042-00019 Heater Coil
035-00006 Resistor (some models)
033-00011 Resistor (some models)
033-00003 Thermostat
030-00025 Vacuum Motor, 1 Port, 2" Arm
030-00105 Vacuum Motor, 2 Port, 2" Arm

MODEL HC280

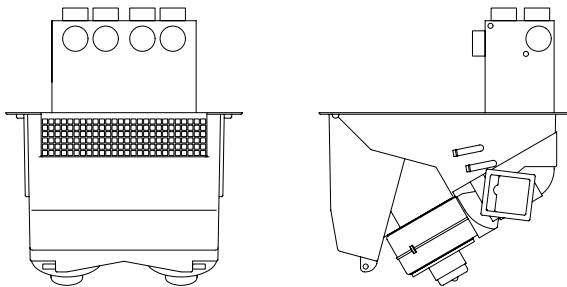


Applications:
1999 and later COUNTRY COACH

Replacement Parts:

030-00033 Blower Motor
072-00019 Blower Wheel 823
062-00227 Blower Wheel 824
041-00150 Evaporator Coil
034-00032 Expansion Valve
042-00037 Heater Coil (w/Tubes)
042-00038 Heater Coil (w/o Tubes)
035-00006 Resistor
030-00104 Servo Motor
033-00003 Thermostat
030-00025 Vacuum Motor, 1 Port, 2" Arm
030-00105 Vacuum Motor, 2 Port, 2" Arm

MODEL HC290

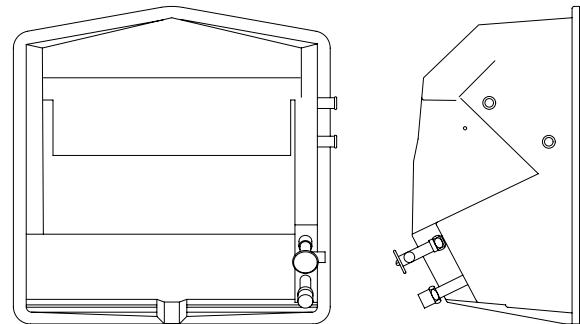


Applications:
2000 and later COUNTRY COACH

Replacement Parts:

030-00120 Blower Motor (driver)
030-00121 Blower Motor (passenger)
062-00002 Blower Wheel (driver)
062-00010 Blower Wheel (passenger)
032-00103 Circuit Breaker
041-00159 Evaporator Coil
034-00032 Expansion Valve
042-00048 Heater Coil (driver)
042-00049 Heater Coil (passenger)
031-00001 Relay
035-00006 Resistor
030-00104 Servo Motor
033-00003 Thermostat
030-00025 Vacuum Motor, 1 Port, 2" Arm
030-00105 Vacuum Motor, 2 Port, 2" Arm

SCS BLEND AIR UNIT



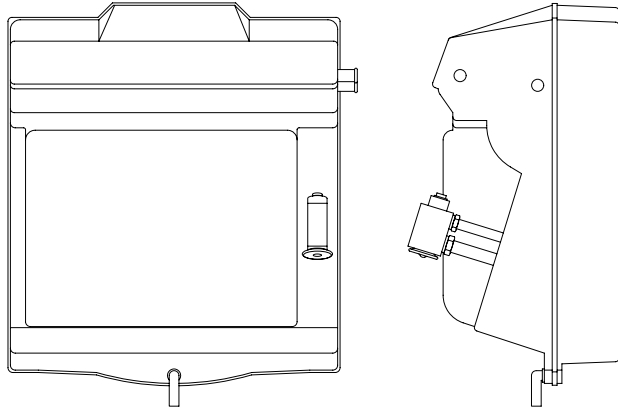
Applications:
1994—1999 HOLIDAY RAMBLER

Replacement Parts:

041-00027 Evaporator Coil
034-00029 Expansion Valve
042-00010 Heater Coil
035-00006 Resistor
030-00044 Servo Motor (some models)
033-00003 Thermostat
030-00025 Vacuum Motor, 1 Port, 2" Arm

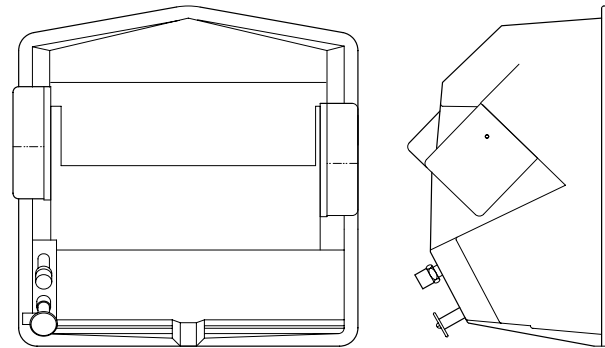
REPLACEMENT PARTS - SCS MOTORHOME UNITS

Winnebago Unit



Applications:
1993 and later WINNEBAGO

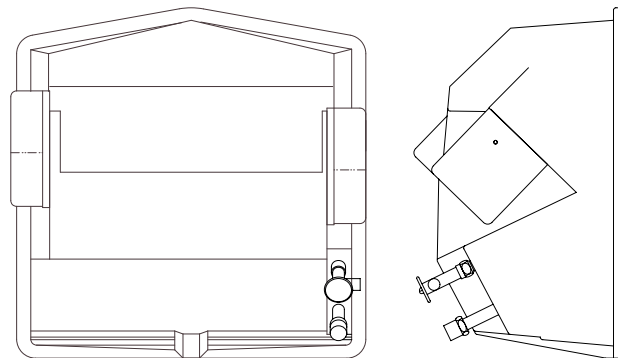
Dual Blend Unit, Driver Side Mount



Applications:
1998 and later GULFSTREAM

Replacement Parts:
041-00027 Evaporator Coil
034-00029 Expansion Valve
042-00042 Heater Coil (w/Tubes)
042-00038 Heater Coil (w/o Tubes)
035-00006 Resistor
033-00003 Thermostat
030-00025 Vacuum Motor, 1 Port, 2" Arm

Dual Blend Unit, Passenger Side Mount



Applications:
1998 BEAVER
2000 and later FORST RIVER

Replacement Parts:
041-00027 Evaporator Coil
034-00029 Expansion Valve
042-00037 Heater Coil (w/Tubes)
042-00038 Heater Coil (w/o Tubes)
035-00006 Resistor
033-00003 Thermostat
030-00025 Vacuum Motor, 1 Port, 2" Arm