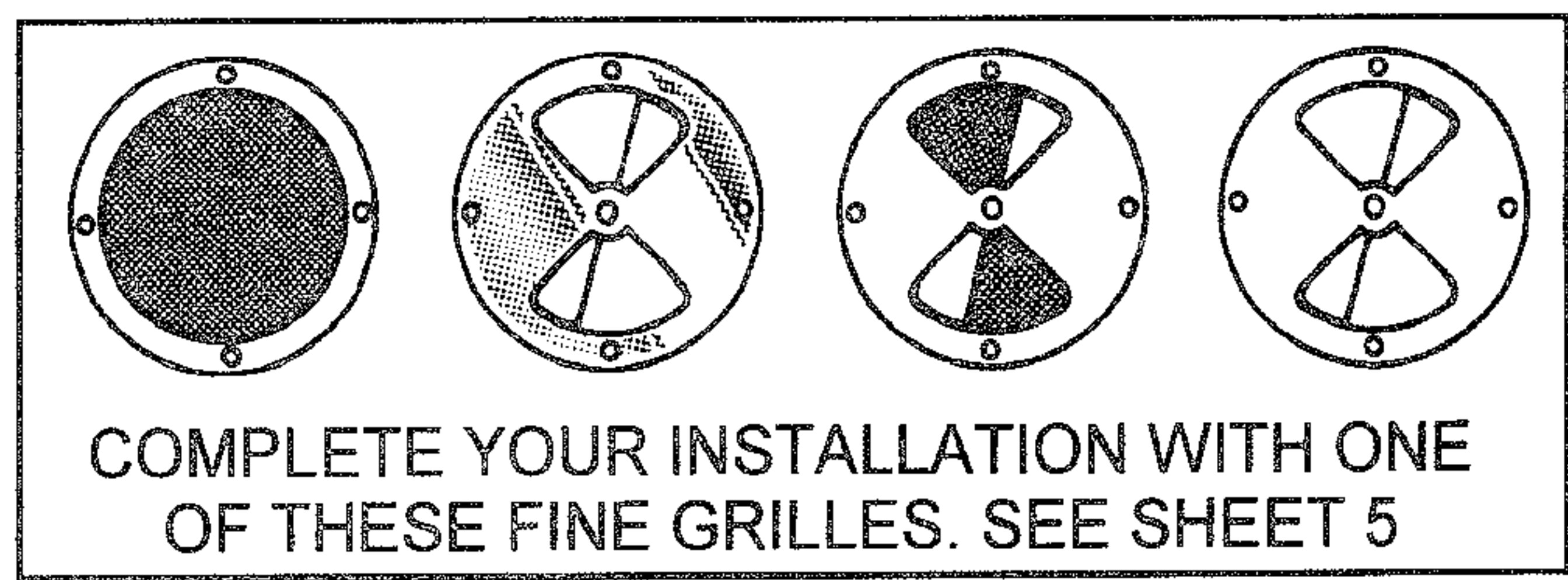
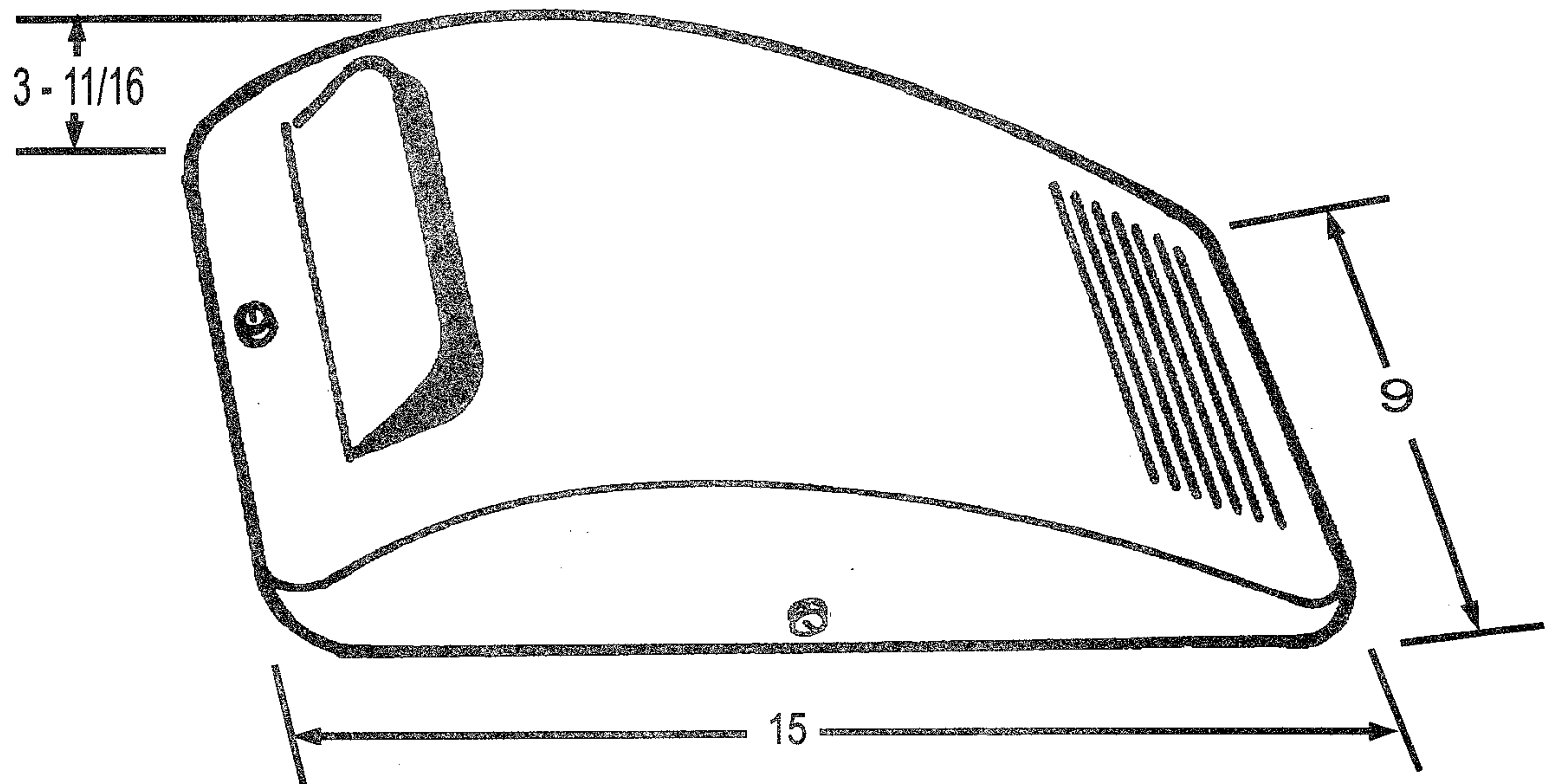




701 ANN STREET N.W.
 GRAND RAPIDS, MI 49504
 TELEPHONE (616) 361-2681
 or (800) 354-7088
 FAX (616) 361-9646

**POWER
 EXHAUST
 VENT**

THIS POWER EXHAUST VENT, WITH ITS UNIQUE SPARK RESISTANT MOTOR, IS IDEAL FOR CARGO AREAS WHERE INFLAMMABLE FUMES MAY HAVE A TENDENCY TO GATHER.



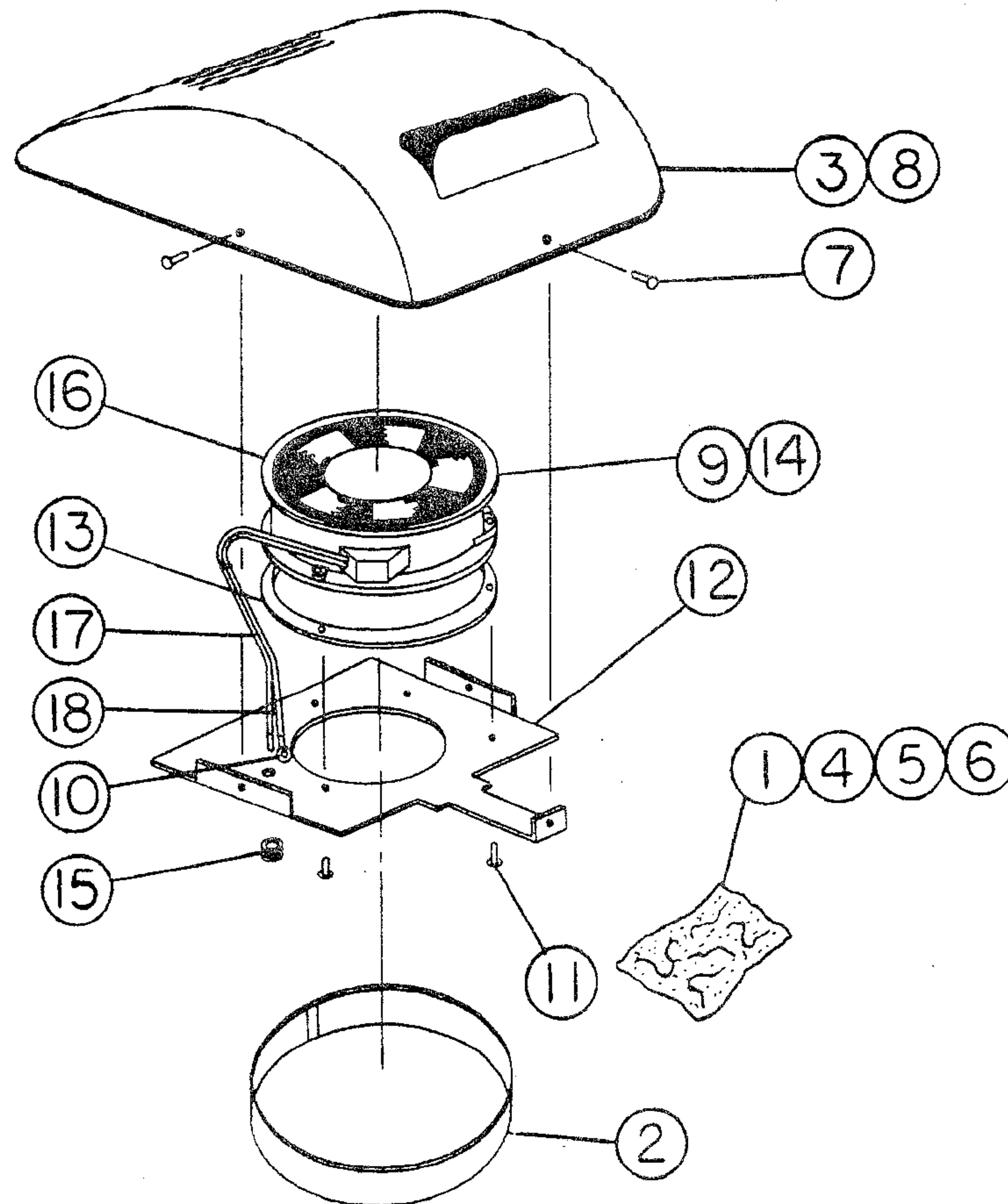
HV213153 SPARK RESISTANT VENTILATOR

PART NO	BTU'S	CFM	AMP DRAW	VOLTAGE	SPEEDS	SHIP WGT
HV213153	N/A	100(STANDING)	2.02	12	1	7 LBS

**HV213153
SPARK RESISTANT VENT
SERVICE PARTS LIST**

EVANS
TEMPCON

701 ANN STREET N.W.
GRAND RAPIDS, MI 49504
TELEPHONE (616) 361-2681
or (800) 354-7088
FAX (616) 361-9646



ITEM NO.	SERVICE PART NO.	DESCRIPTION	QTY
*1	HV014528	TEMPLATE	1
*2	HV014540	SPACER RING	1
3	HV224019	VENTILATOR ASSEMBLY	1
*4	GM111599	#10-12 X 2-3/4" SCREW	4
*5	GM142611	#10-12 X 5/8" PAN HEAD SCREW	8
*6	GM144888	#10-12 X 5/8" OVAL HEAD SCREW	4
7	HV026863	#10-24 SCREW	3
8	HV206354	SHELL ASSEMBLY	1
9	HV224018	MOTOR & BRACKET ASSEMBLY	1

ITEM NO.	SERVICE PART NO.	DESCRIPTION	QTY
10	HV014073A	EYELET	1
11	HV026863	#10-24 SCREW	7
12	HV034687	MOUNTING BRACKET	1
13	HV034693	SEAL - FAN/MOTOR	1
14	HV224017	MOTOR & WIRE ASSEMBLY	1
15	HV022587	GROMMET	1
16	HV034686	12 VOLT FAN	1
17	HV034688	LEAD WIRE (RED)	1
18	HV034689	LEAD WIRE (BLACK)	1

* FURNISHED LOOSE IN PACKAGE

NOTE: ITEM 3 INCLUDES ITEMS 7 THRU 18, ITEM 9 INCLUDES ITEMS 10 THRU 14, ITEM 14 INCLUDES ITEMS 15 THRU 18

This package includes only those items listed above. Additional components may be required to complete normal installation. For a complete listing of associated components available from Evans, please refer to "Accessories" in the general catalog.