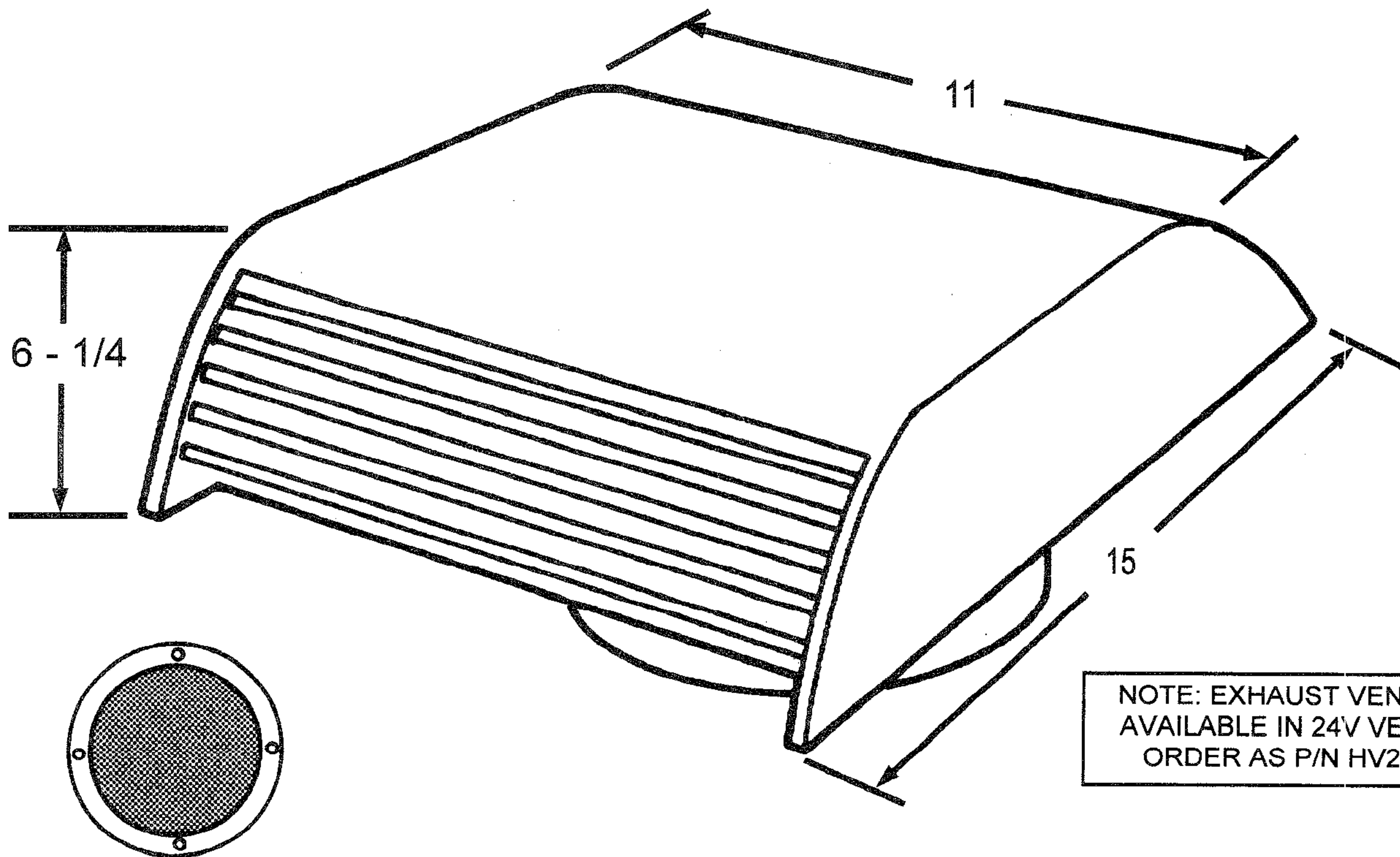




701 ANN STREET N.W.  
 GRAND RAPIDS, MI 49504  
 TELEPHONE (616) 361-2681  
 or (800) 354-7088  
 FAX (616) 361-9646

**POWER  
 VENT**

**THIS HIGH-POWERED, YET REASONABLY  
 PRICED VENTILATOR MOVES 200 CFM.  
 GREAT FOR HIGH CUBE CARGO AREAS!**



NOTE: EXHAUST VENT ALSO  
 AVAILABLE IN 24V VERSION.  
 ORDER AS P/N HV213194

INCLUDES 2 SPEED SWITCH, HV206387  
 INTERIOR GRILLE, AND WINTER PLATE.

**HV208351 INTAKE/HV212379 EXHAUST POWER VENTILATOR**

PART NO.	BTU'S	CFM	AMP DRAW	VOLTAGE	SPEEDS	SHIP WGT
HV208351	N/A	200(STANDING)	3.2	12	2	13.5 LBS
HV212379	N/A	200(STANDING)	3.2	12	2	13.5 LBS

**HV208351 POWER VENT (INTAKE)  
HV212379 POWER VENT (EXHAUST)  
SERVICE PARTS LIST**

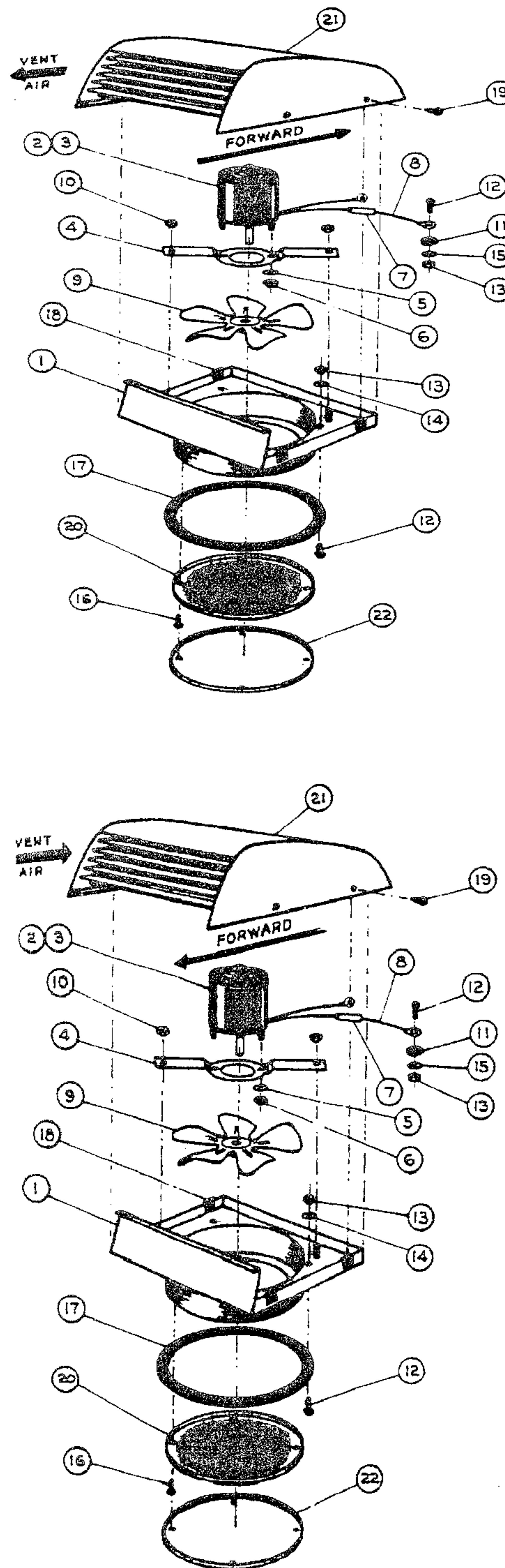
**EVANS**

701 ANN STREET N.W.  
GRAND RAPIDS, MI 49504  
TELEPHONE (616) 361-2681  
or (800) 354-7088  
FAX (616) 361-9646

TEMPCON

ITEM NO	SERVICE PART NO	DESCRIPTION	QTY
1	HV207994	SHROUD PLATE ASSY	1
2	HV221438	MOTOR & FAN ASSY (12V) (HV212379 PKG)	1
	HV224128	MOTOR & FAN ASSY (24V) (HV213194 PKG)	1
	HV221782	MOTOR & FAN ASSY (12V) (HV208351 PKG)	1
3	HV210475	MOTOR ASSEMBLY (HV212379 PKG)	1
	HV210640	MOTOR ASSEMBLY (HV213194 PKG)	1
	HV210874	MOTOR ASSEMBLY (HV208351 PKG)	1
4	HV034948	BRACKET	1
5	GM178378	#10 LOCKWASHER	2
6	GM120614	#10 - 32 NUT	2
7	HV020658	CONNECTOR	1
8	HV205442	WIRE LEAD ASSEMBLY	1
9	HV019500	FAN - 8" DIAMETER	1
*10	GM271172	1/4 - 20 NUT	2
*11	HV004108	GROMMET	1
*12	HV026863	#10 - 24 SCREW	5
*13	GM271166	#10 - 24 NUT	5
*14	GM118873	#10 LOCKWASHER	4
*15	GM446152	#10 WASHER	2
*16	GM162396	#8 X 1/2" SCREW	4
17	HV018354	GASKET	1
*18	SP006017	SPEED CLIP	4
*19	HV025482	#8-18 X 1/2" SCREW	4
20	HV223452	GRILLE ASSEMBLY	1
21	HV207990	TOP SHELL ASSEMBLY	1
22	HV018365	COVER PLATE	1
*23-25	HV218107	SWITCH,NUT, KNOB ASSY (12V)	1
*23	HV019768	SWITCH ASSEMBLY (24V)	1
*	HV017920	INSTRUCTIONS	1

\* FURNISHED LOOSE IN PACKAGE



This package includes only those items listed above. Additional components may be required to complete normal installation. For a complete listing of associated components available from Evans, please refer to "Accessories" in the general catalog.