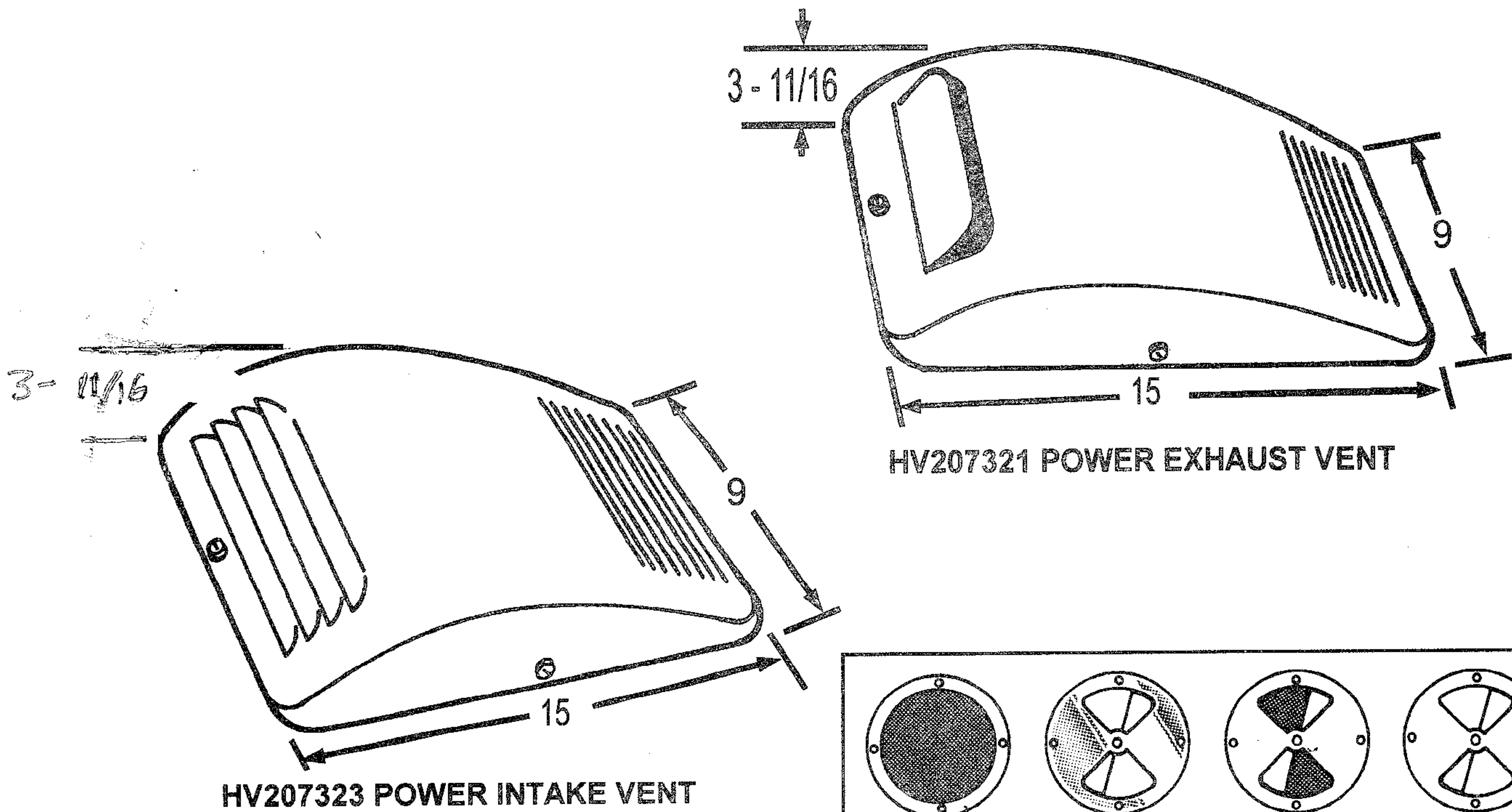




701 ANN STREET N.W.
 GRAND RAPIDS, MI 49504
 TELEPHONE (616) 361-2681
 or (800) 354-7088
 FAX (616) 361-9646

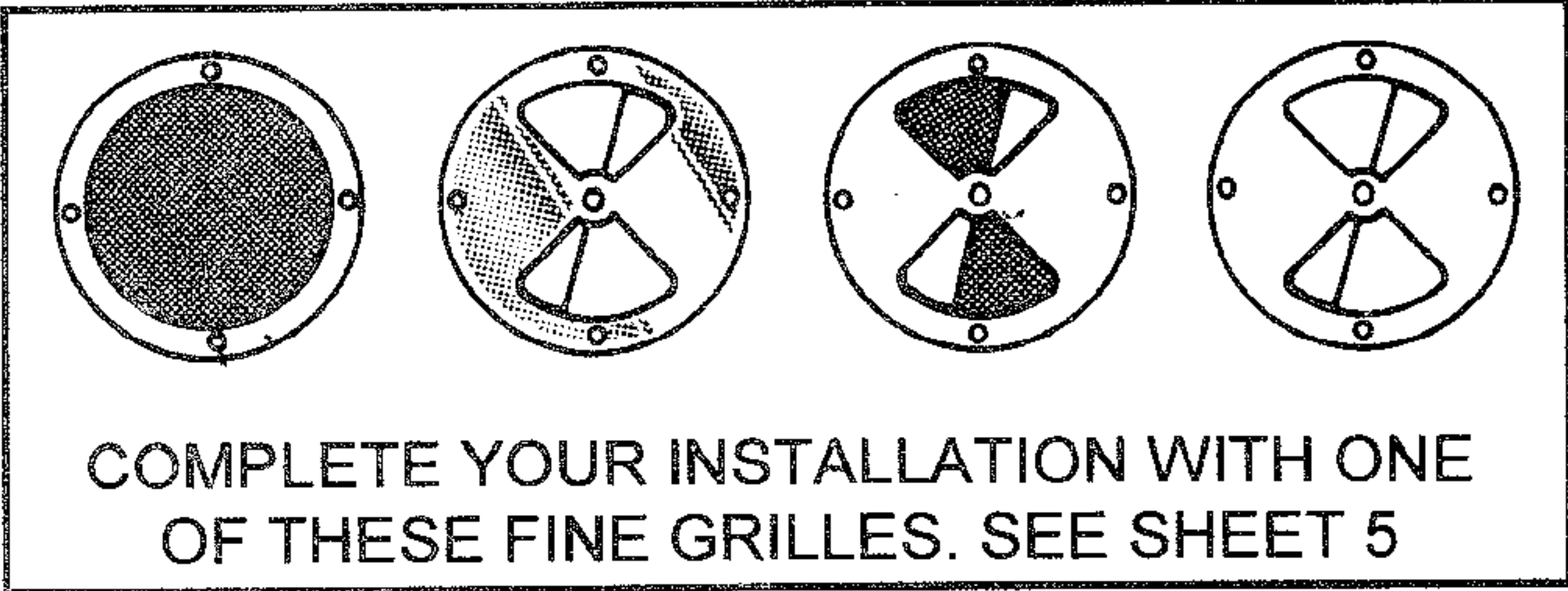
**POWER
 VENT**

THIS QUIET, EFFICIENT, AND LOW COST POWER VENTILATOR IS GREAT FOR ELIMINATING STAGNANT AIR, ODORS, ETC. FROM BOTH CARGO AND CAB



HV207321 POWER EXHAUST VENT

HV207323 POWER INTAKE VENT



HV207323/HV207321 POWER VENTILATOR

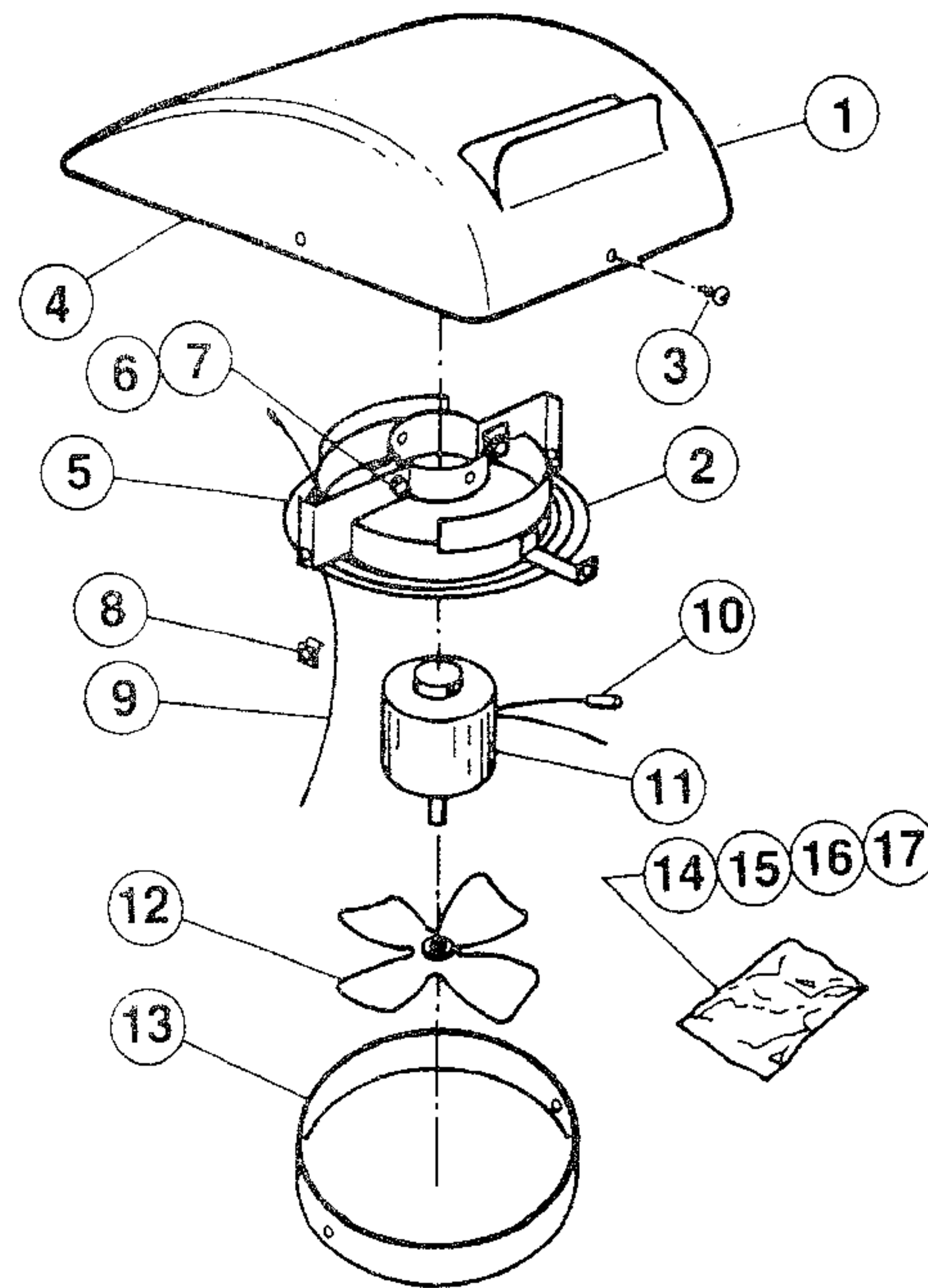
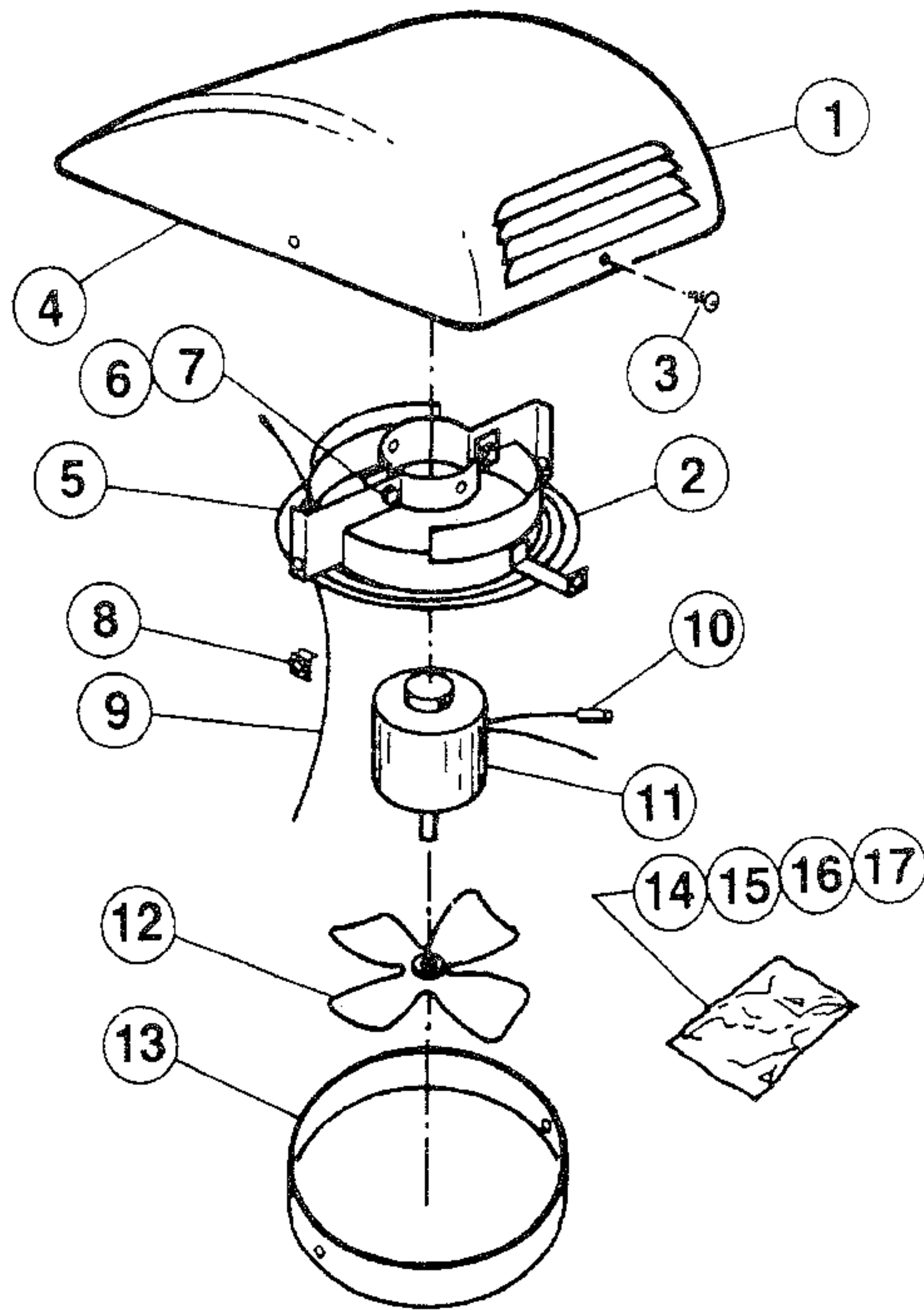
PART NO.	BTU'S	GFM	AMP DRAW	VOLTAGE	SPEEDS	SHIP WGT
HV207323	N/A	100(STANDING)	2.02	12	1	7 LBS
HV207321	N/A	100(STANDING)	2.02	12	1	7 LBS

**HV207323 POWER VENT (INTAKE)
 HV207321 POWER VENT (EXHAUST)
 SERVICE PARTS LIST**



701 ANN STREET N.W.
 GRAND RAPIDS, MI 49504
 TELEPHONE (616) 361-2681
 or (800) 354-7088
 FAX (616) 361-9646

TEMPCON



ITEM NO.	SERVICE PART NO.	DESCRIPTION	QTY
1	HV207334	VENTILATOR ASSEMBLY (HV207323 PKG)	1
	HV207332	VENTILATOR ASSEMBLY (HV207321 PKG)	1
2	HV207300	MOTOR & FAN ASSY (HV207323 PKG)	1
	HV207278	MOTOR & FAN ASSY (HV207321 OKG)	1
3	HV026863	#10-24 SCREW	5
4	HV206455	SHELL ASSEMBLY (HV207323 PKG)	1
	HV206354	SHELL ASSEMBLY (HV207321 PKG)	1
5	HV207279	RING ASSEMBLY (HV207323 PKG)	1
	HV209496	RING ASSEMBLY (HV207321 PKG)	1
6	GM121913	1/4-20 X 1-1/4' BOLT	2
7	GM271172	1/4-20 NUT	

ITEM NO.	SERVICE PART NO.	DESCRIPTION	QTY
8	SP006014	SPEED NUT	3
9	HV205439	WIRE LEAD ASSEMBLY	1
10	HV020658	CONNECTOR	1
11	HV210022	MOTOR 12 VOLT	1
12	HV003841	FAN - 6-1/4" DIA.	1
*13	HV014540	SPACER RING	1
*14	HV015022	TEMPLATE (HV207323 PKG)	1
	HV014528	TEMPLATE (HV207321 PKG)	1
*15	GM111599	#10-12 X 2-3/4" SCREW	4
*16	GM142611	#10-12 X 5/8" PAN HEAD SCREW	8
*17	GM144888	#10-12 X 5/8" OVAL HEAD SCREW	4

* FURNISHED LOOSE IN PACKAGE

This package includes only those items listed above. Additional components may be required to complete normal installation. For a complete listing of associated components available from Evans, please refer to "Accessories" in the general catalog.