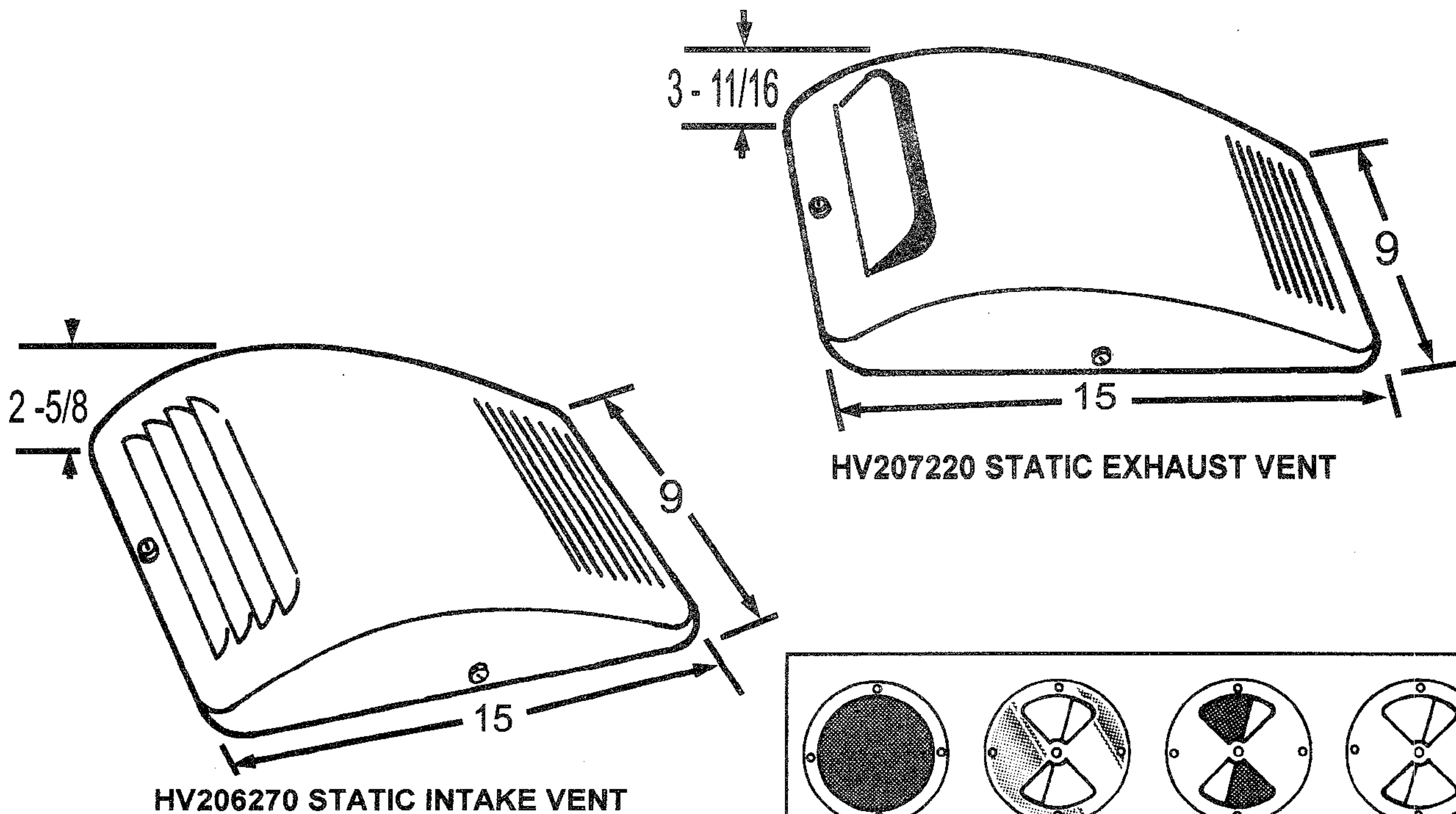




701 ANN STREET N.W.
 GRAND RAPIDS, MI 49504
 TELEPHONE (616) 361-2681
 or (800) 354-7088
 FAX (616) 361-9646

**STATIC
 VENT**

**AFFORDABLE AIR CIRCULATION IS WHAT YOU'LL
 GET WITH THIS INEXPENSIVE NON-POWERED VENT.
 AN EFFICIENT AND ECONOMICAL ALTERNATIVE!**



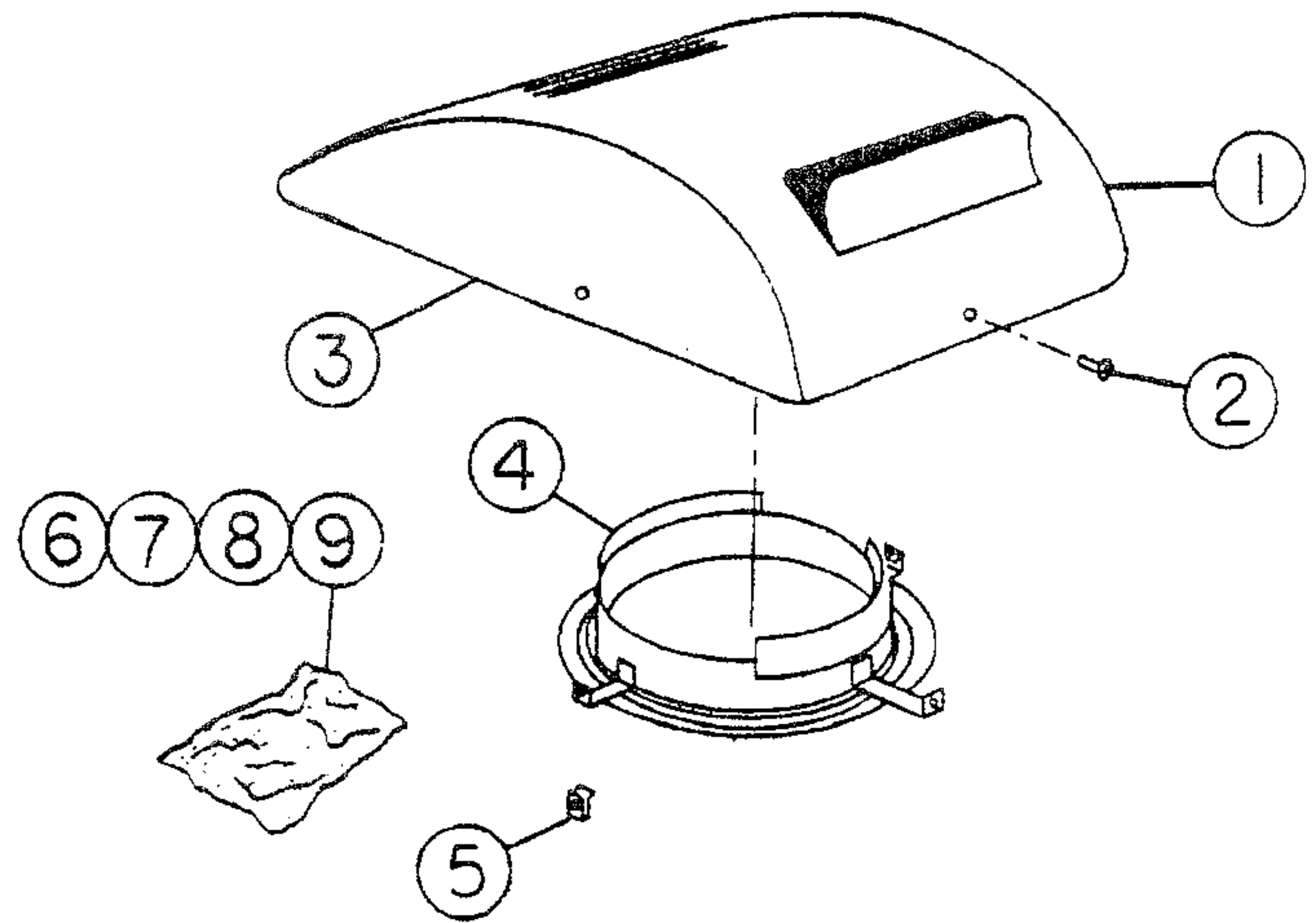
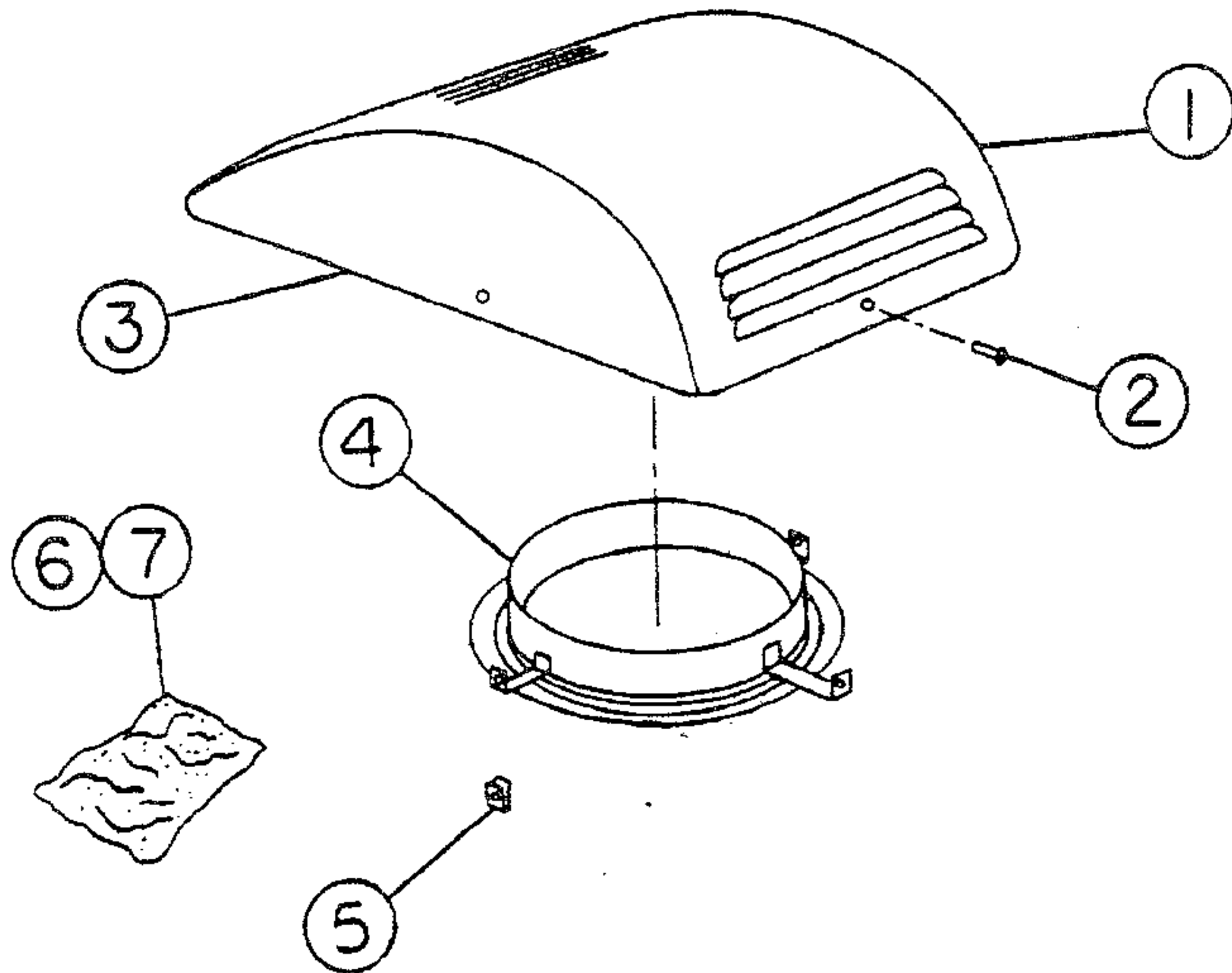
HV206270/HV207220 STATIC VENTILATOR

PART NO.	BTU'S	CFM	AMP DRAW	VOLTAGE	SPEEDS	SHIP WGT
HV206270	N/A	80CFM@30MPH	N/A	N/A	N/A	3 LBS
HV207220	N/A	80CFM@30MPH	N/A	N/A	N/A	4 LBS

**HV206270 STATIC VENT (INTAKE)
HV207220 STATIC VENT (EXHAUST)
SERVICE PARTS LIST**

EVANS
TEMPCON

701 ANN STREET N.W.
GRAND RAPIDS, MI 49504
TELEPHONE (616) 361-2681
or (800) 354-7088
FAX (616) 361-9646



ITEM NO.	SERVICE PART NO.	DESCRIPTION	QTY
1	HV206243	VENTILATOR ASSEMBLY (HV206270 PKG)	1
2	GM445573	#10-24 SCREW	3
3	HV014650	VENTILATOR SHELL	1
4	HV206451	MOUNTING RING ASSEMBLY	1
5	SP006014	SPEED NUT	3
*6	HV014528	TEMPLATE	1
*7	HV015022	INSTALLATION DIAGRAM	1

* FURNISHED LOOSE IN PACKAGE

ITEM NO.	SERVICE PART NO.	DESCRIPTION	QTY
1	HV207221	VENTILATOR ASSEMBLY (HV207220 PKG)	1
2	GM445573	#10-24 SCREW	3
3	HV206354	VENTILATOR SHELL	1
4	HV207222	MOUNTING RING ASSEMBLY	1
5	SP006014	SPEED NUT	3
*6	HV014528	TEMPLATE	1
*7	GM111599	#10-12 X 2-3/4" SCREW	4
*8	GM142611	#10-12 X 5/8" PAN HEAD SCREW	8
*9	GM144888	#10-12 X 5/8" OVAL HEAD SCREW	4

This package includes only those items listed above. Additional components may be required to complete normal installation. For a complete listing of associated components available from Evans, please refer to "Accessories" in the general catalog.